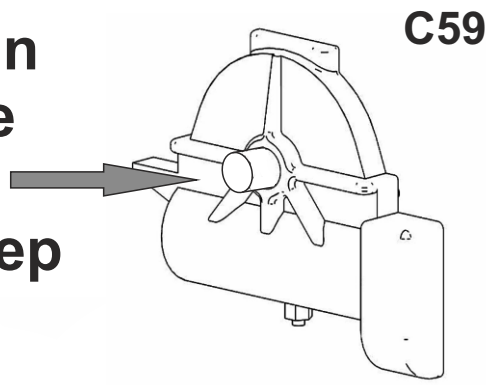
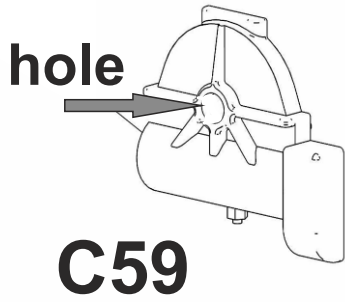


cut off the pin
and drill hole
1,5mm dia
and 1mm deep
instead

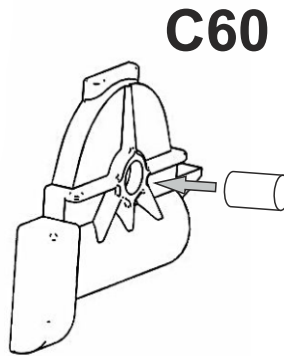


C59

the remedy

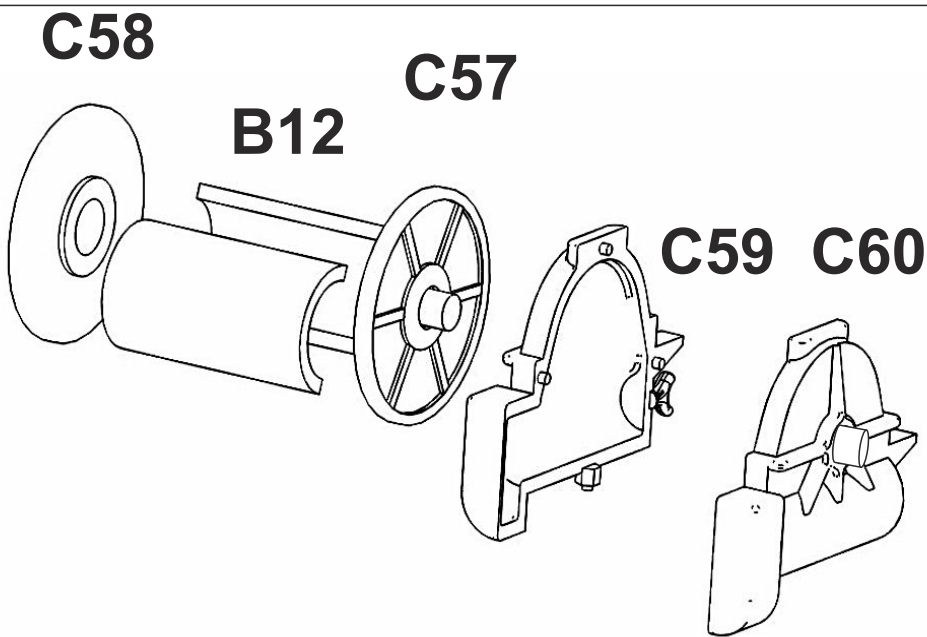


C59



C60

the cut off pin
glue in hole
in C60 for
further assembly



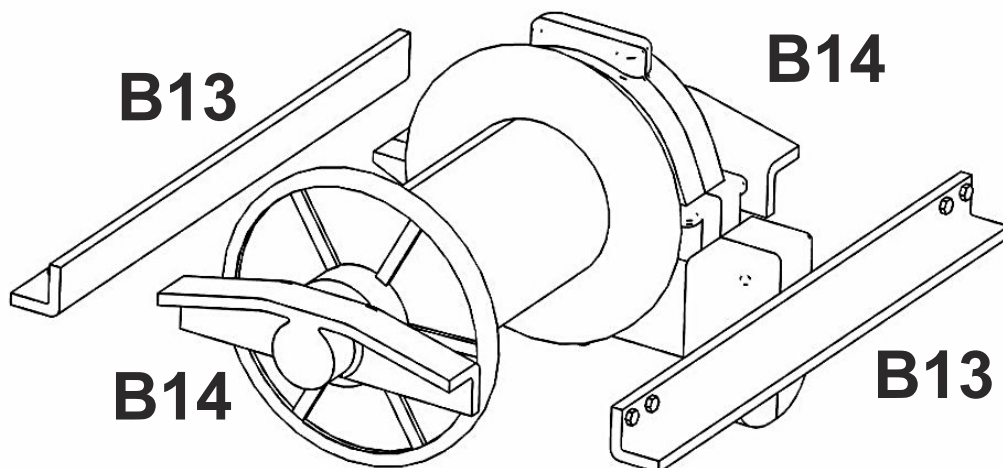
C58

B12

C57

C59

C60



B13

B14

B14

B13