

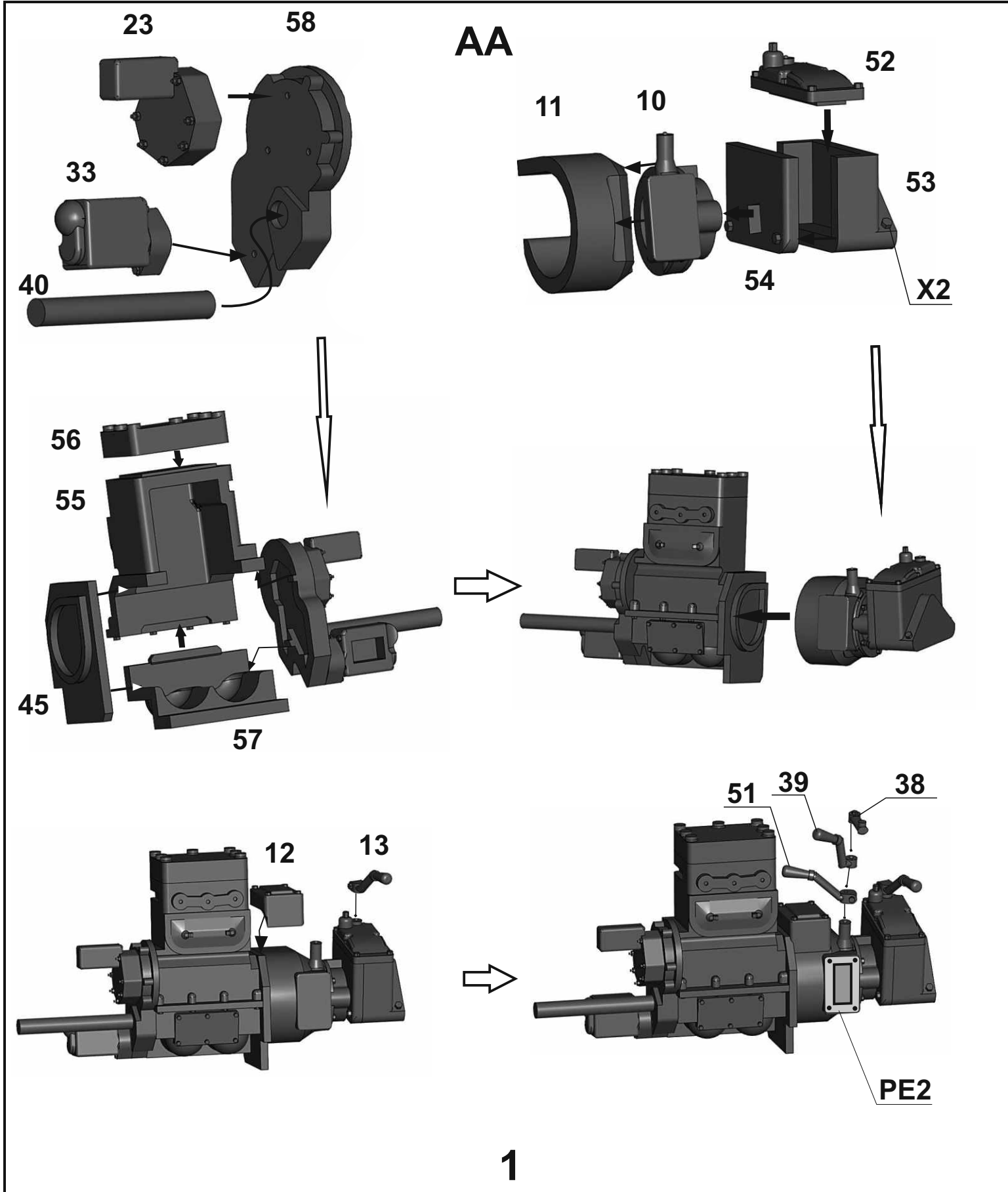
Mirror Models 35850 US Military Crawler

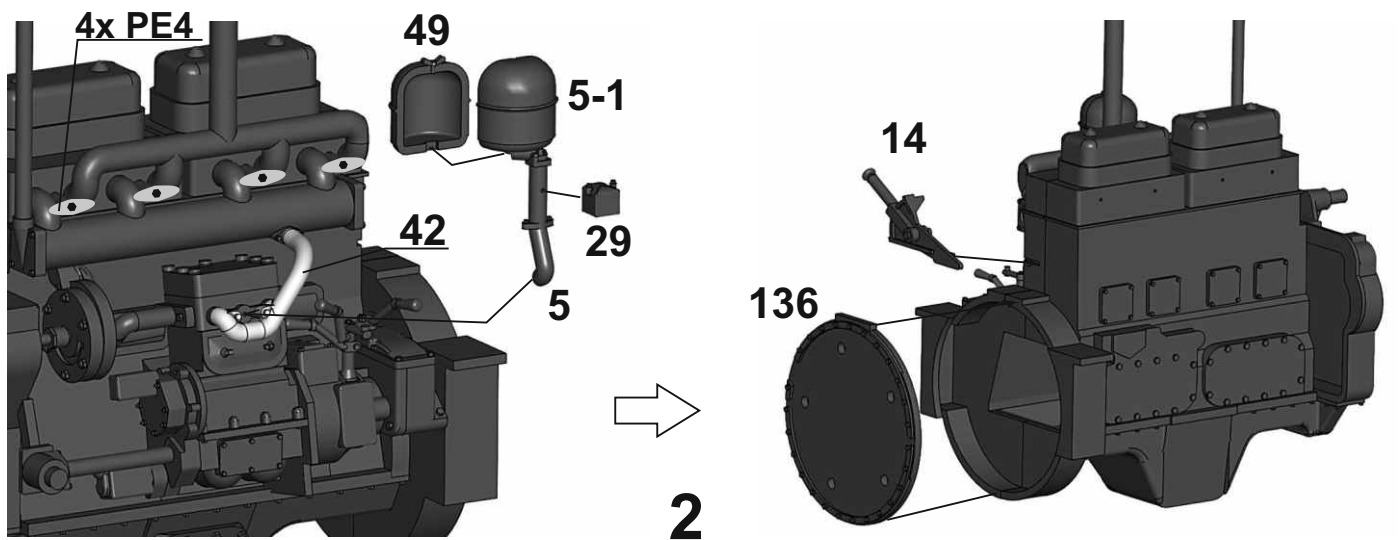
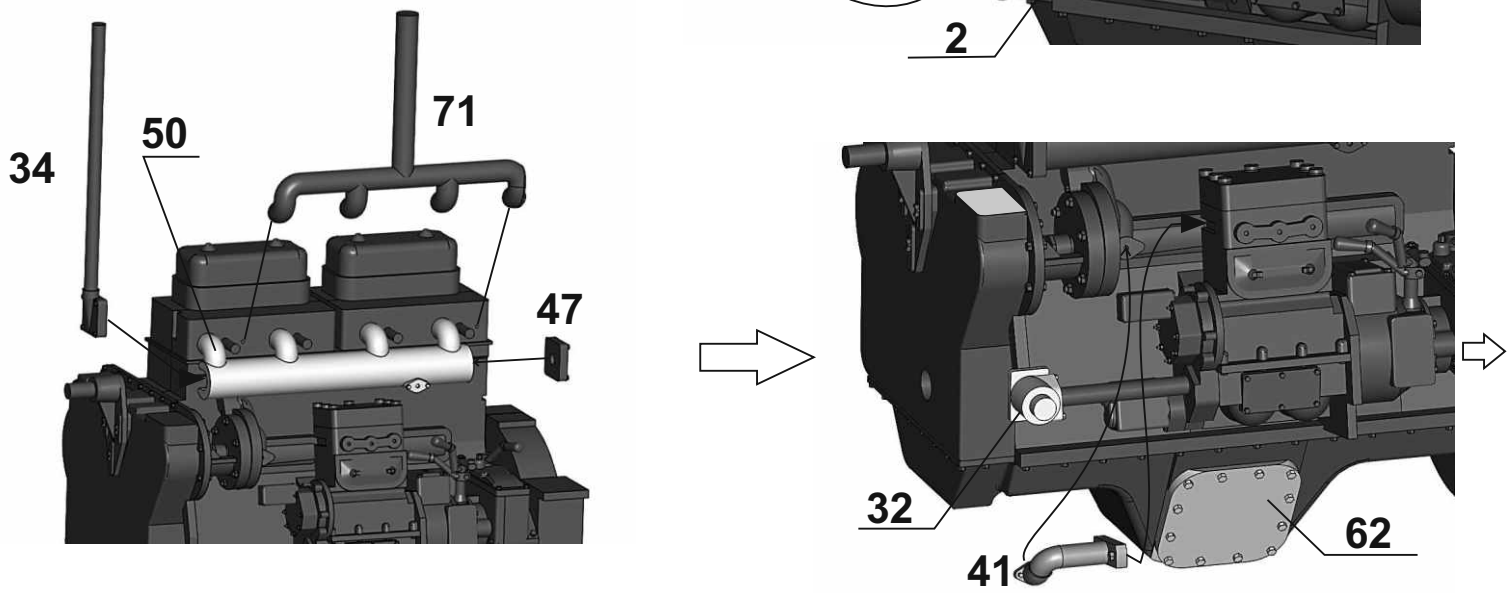
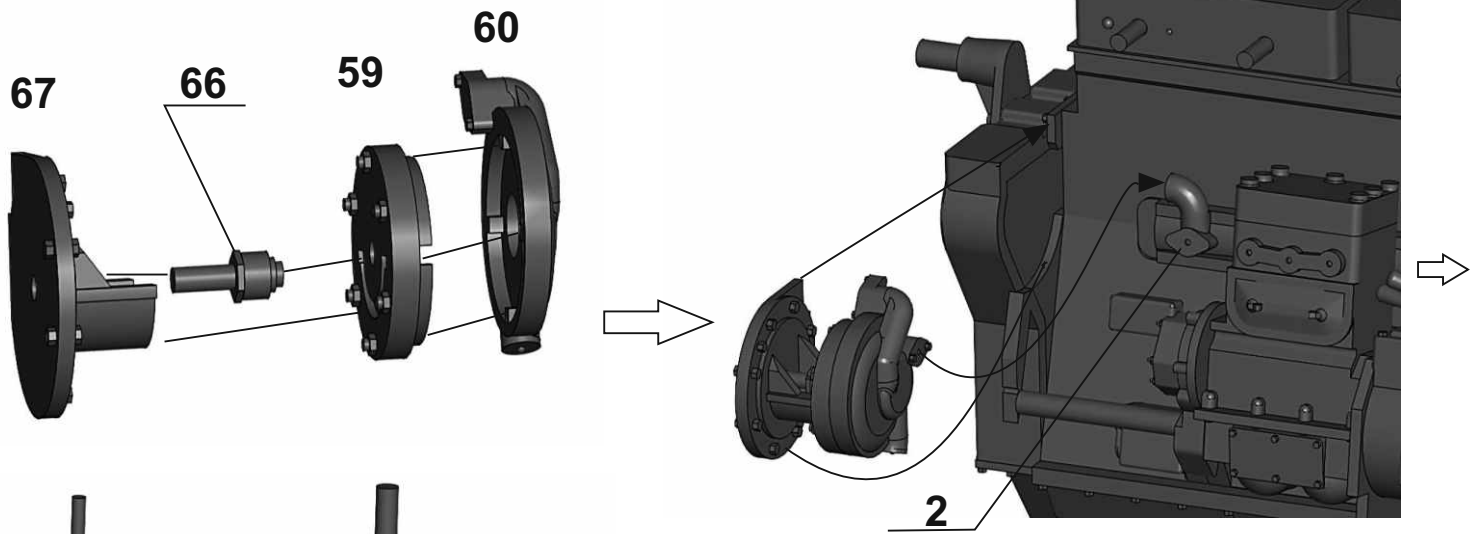
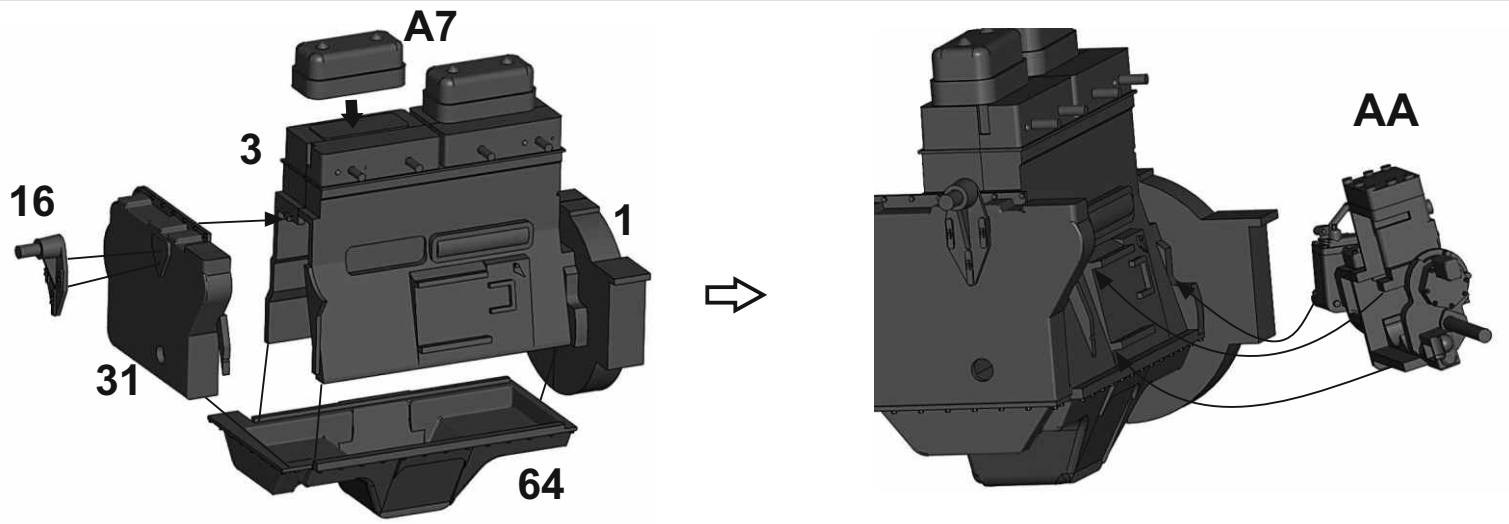
Assembly instructions

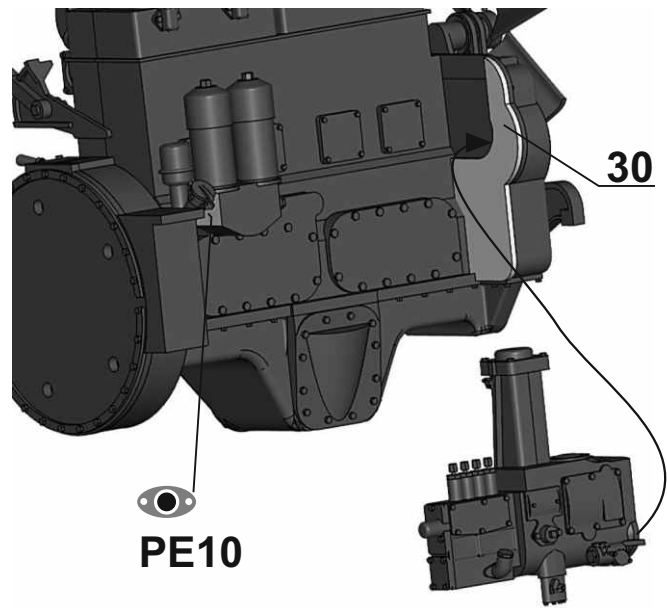
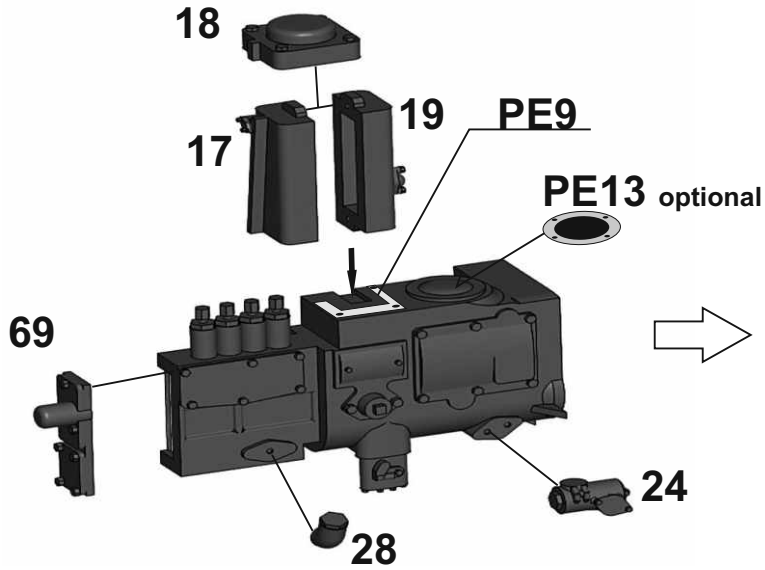
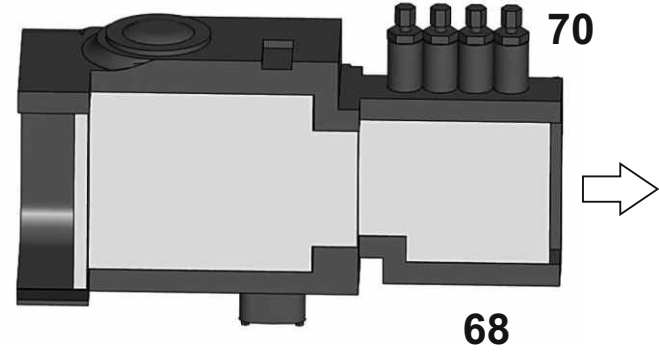
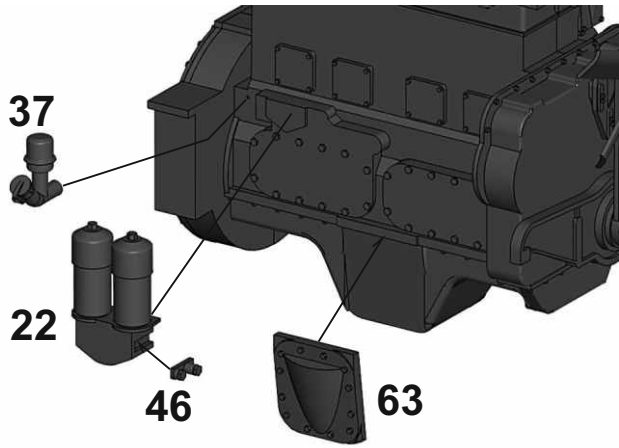
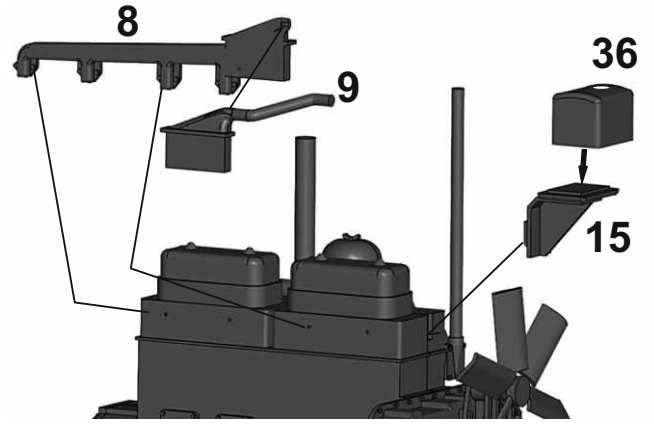
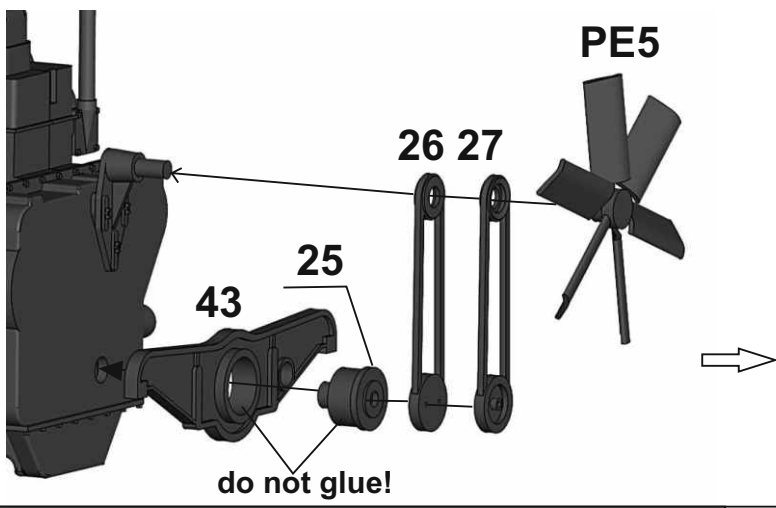
Go through assembly guide before you start your work. We recommend to use a sharp scalpel to remove parts carefully.

Heat up PE parts with lighter before use, brass will soften and become easy to bend and work with **Tamiya Super Thin Glue** recommended for plastic parts, let the glue work for a few seconds, then push parts together, melted plastic will fill the gaps between parts. You can also melt sprue frame and use it as an amazing filler for small works, or use this glue to wash out tiny seam lines on little parts or make texture on some parts etc.

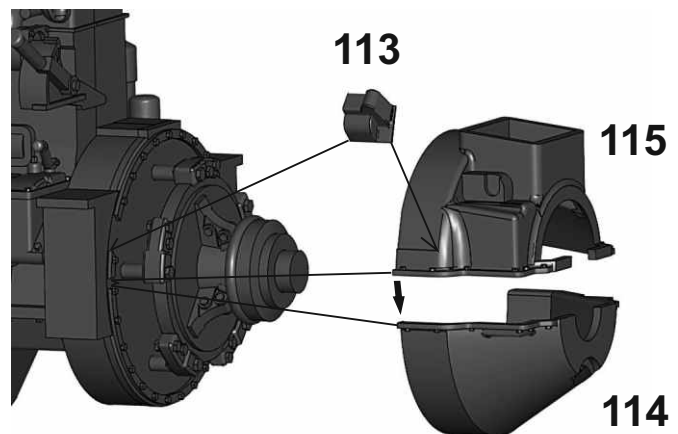
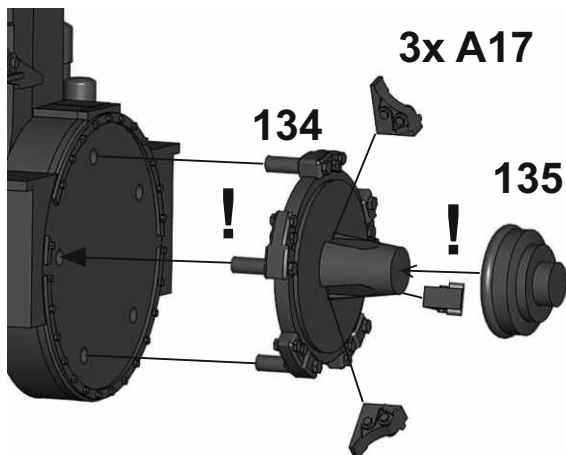
You might need to adjust some holes with drilling bits

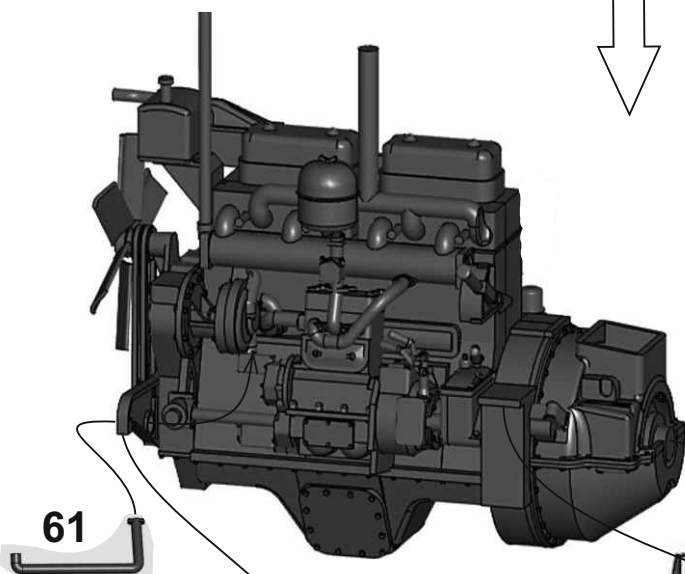
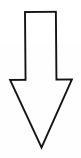
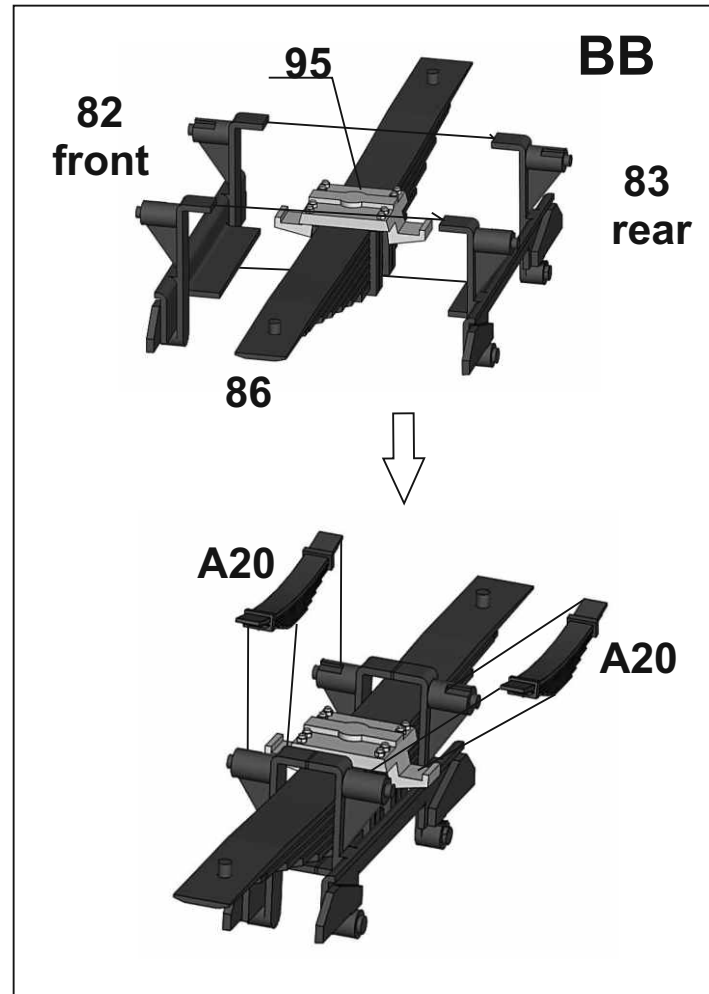
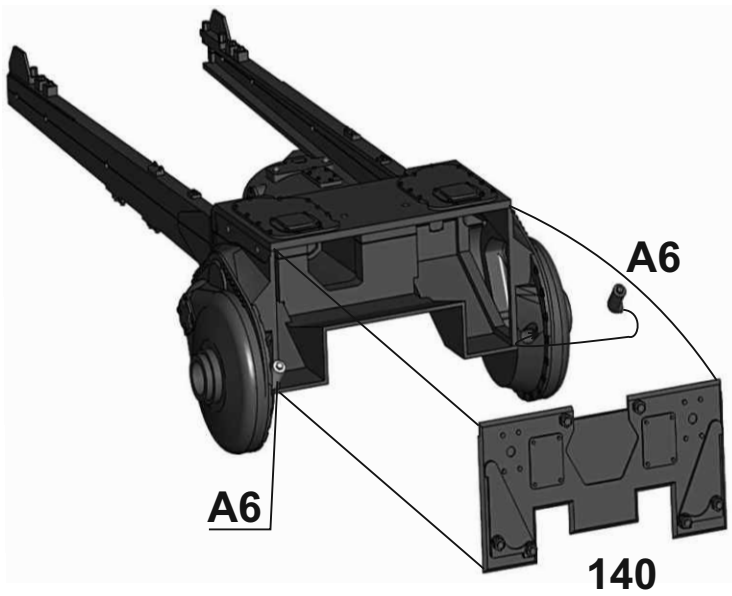
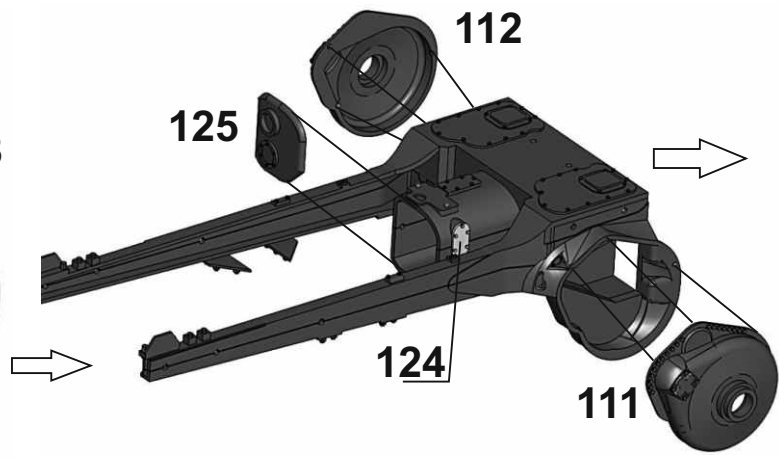
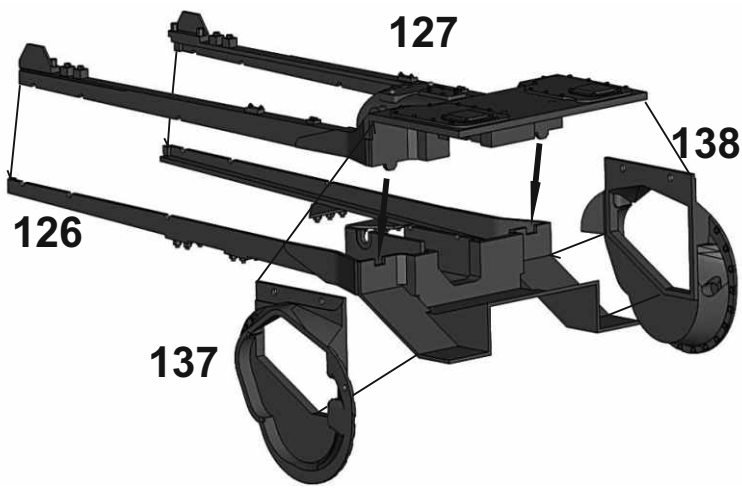




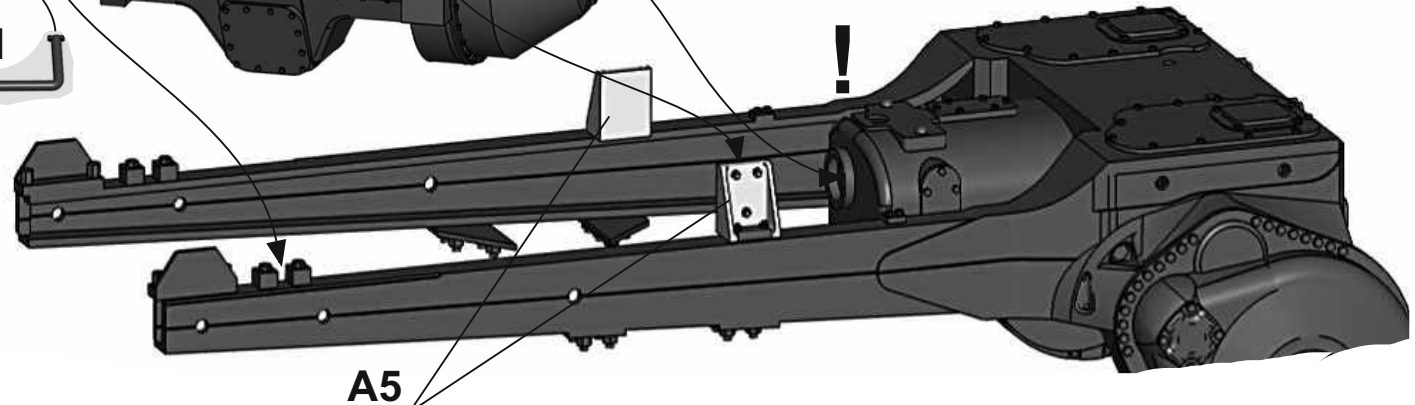


push 134 into 136 and 135 as deep as it goes

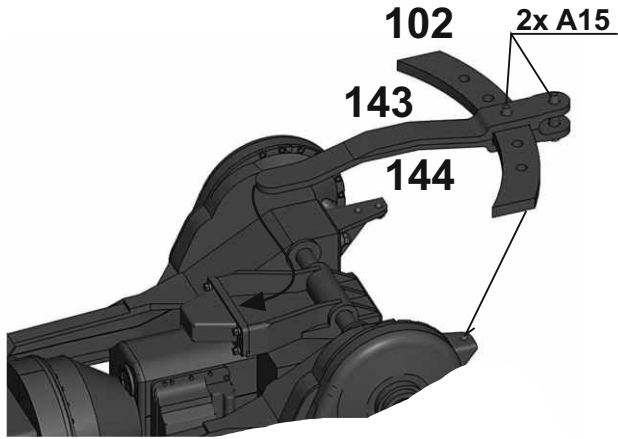
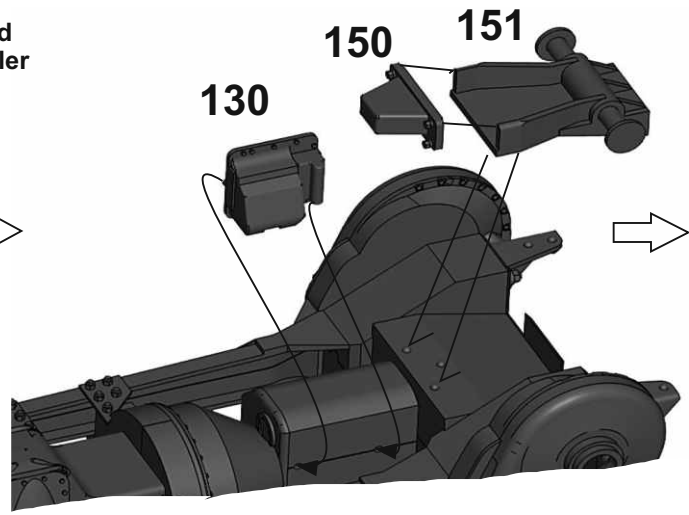
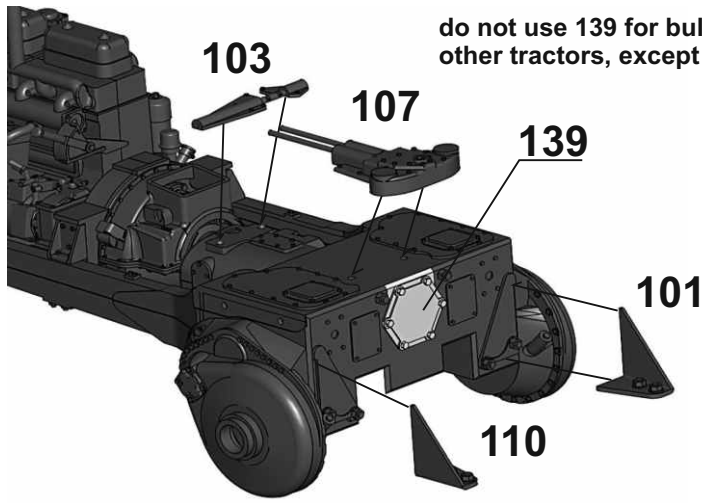




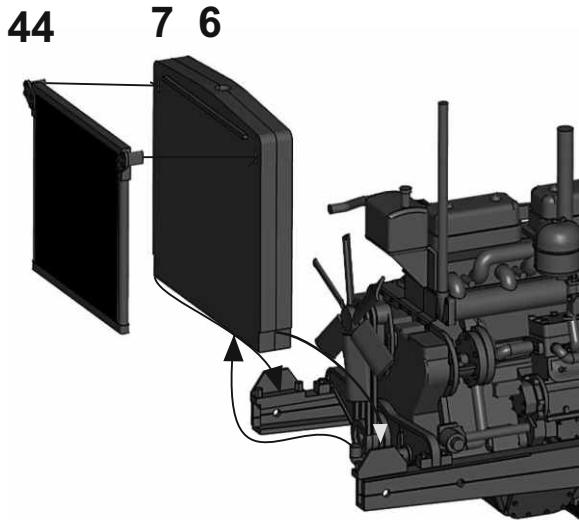
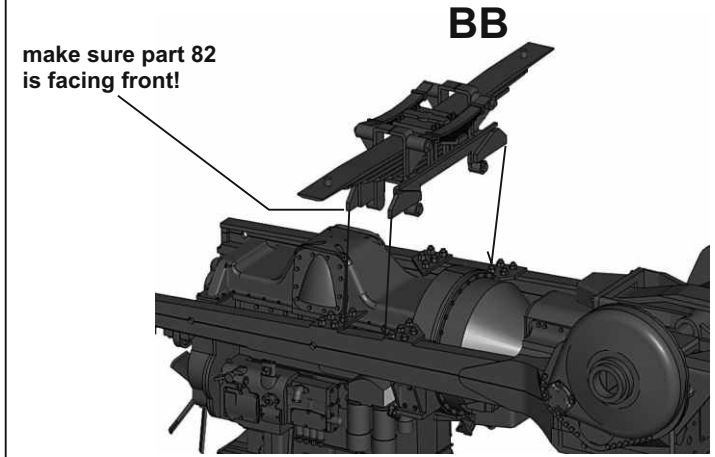
glue 135 into 125 as deep as it goes!



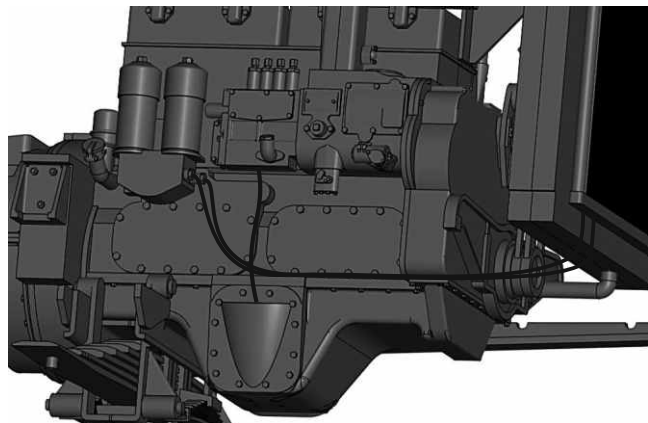
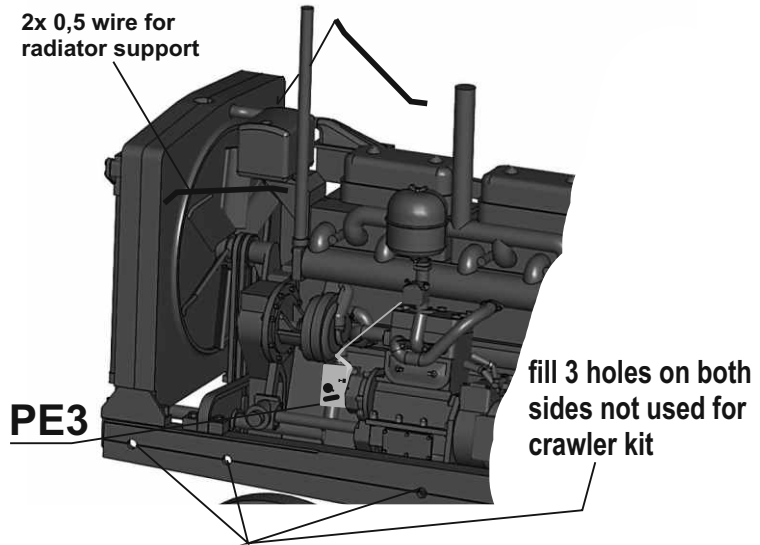
do not use 139 for bulldozer and other tractors, except this crawler



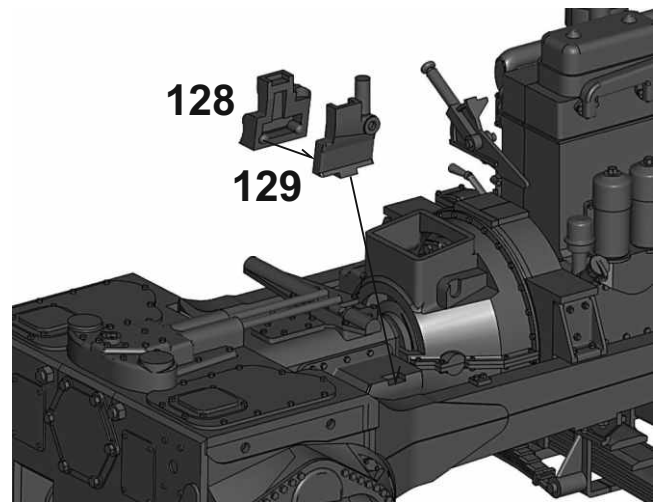
make sure part 82 is facing front!

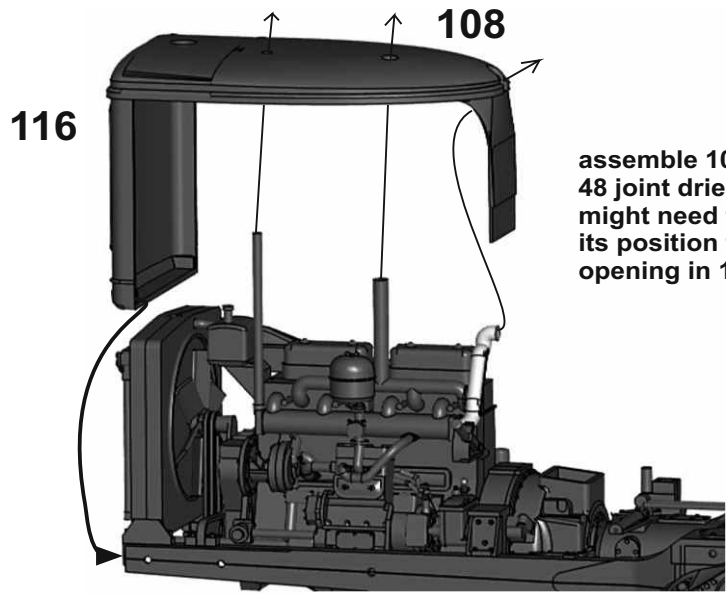
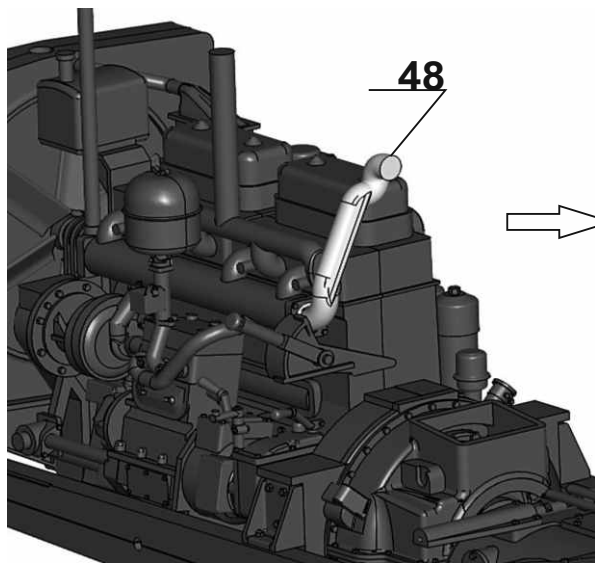


2x 0,5 wire for radiator support



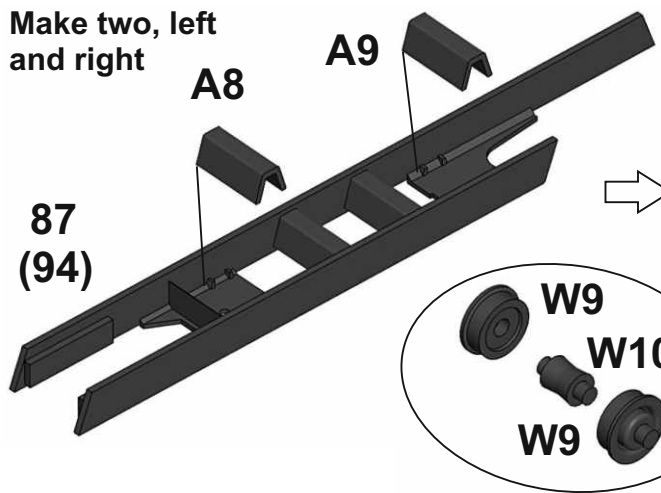
0,5mm wire can be used to make pipes



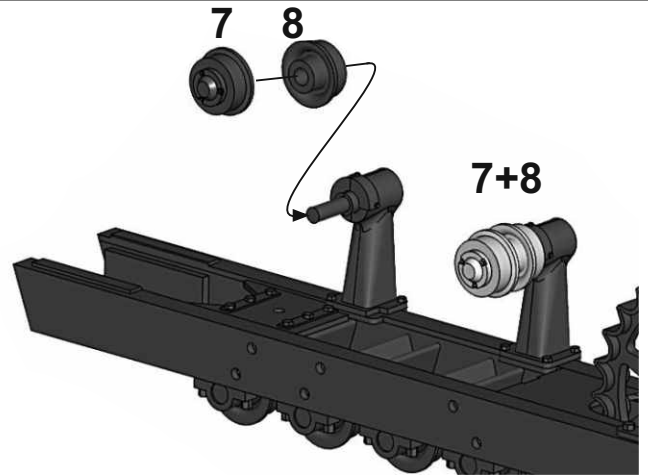
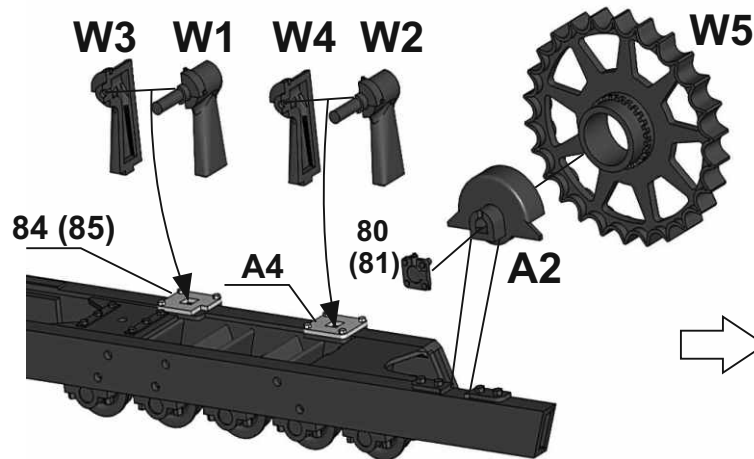
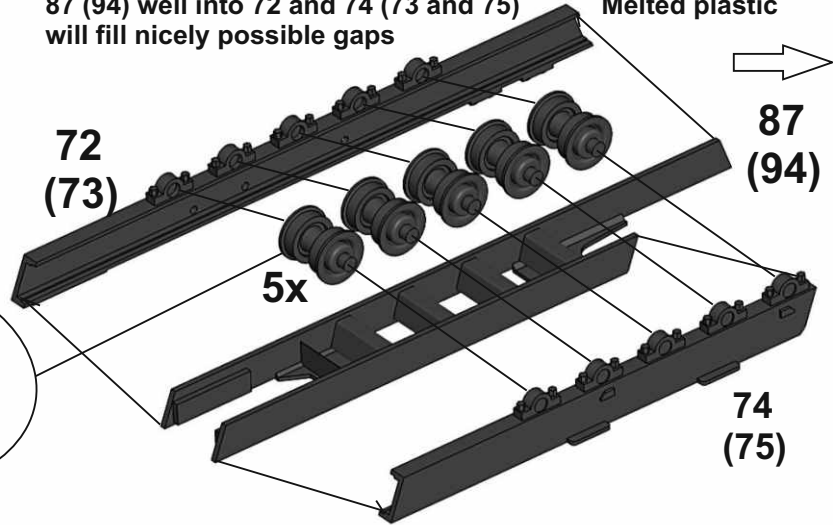


assemble 108 before 48 joint dries totally, you might need to adjust its position to go through opening in 108

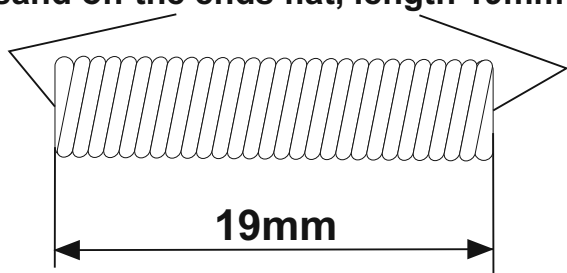
Make two, left and right



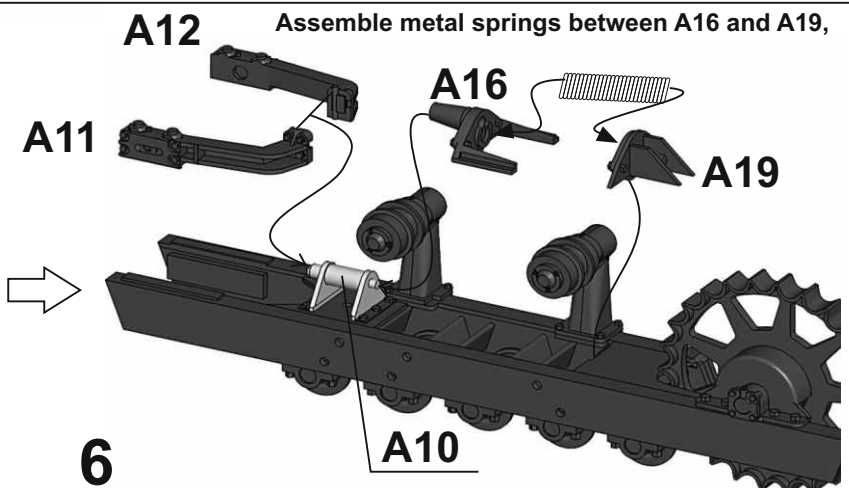
use Tamiya Super Thin glue to melt plastic properly and push 87 (94) well into 72 and 74 (73 and 75) Melted plastic will fill nicely possible gaps

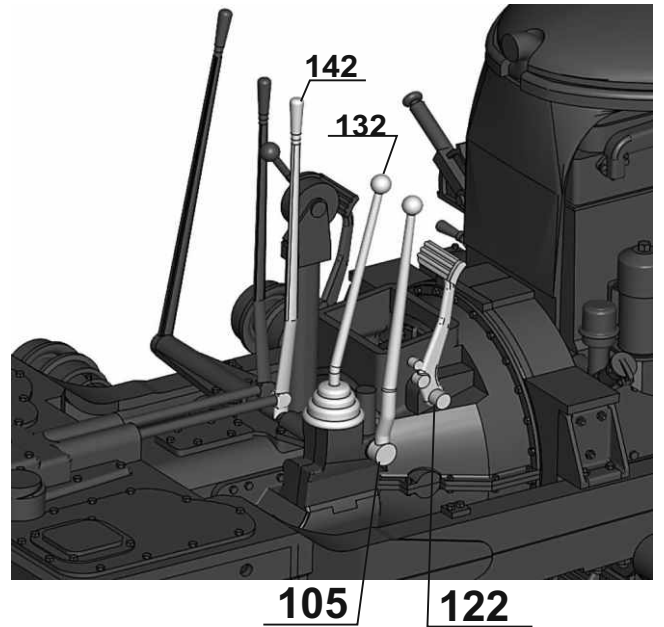
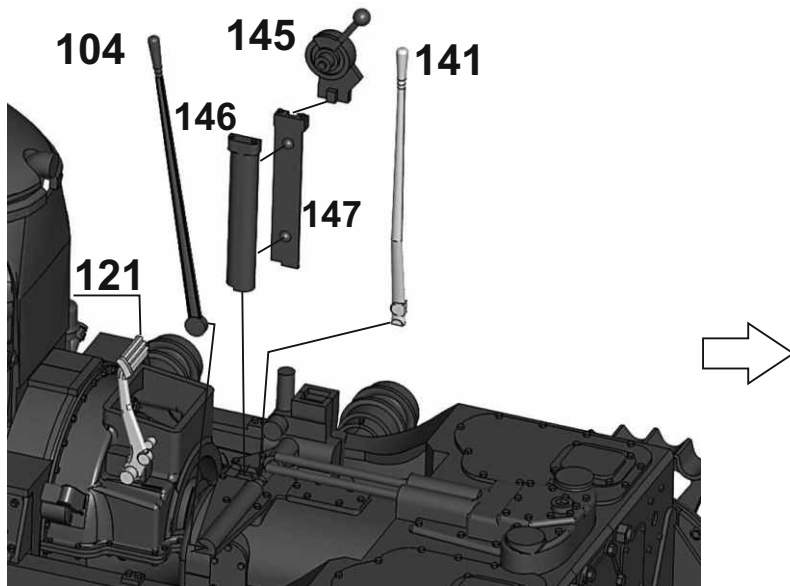
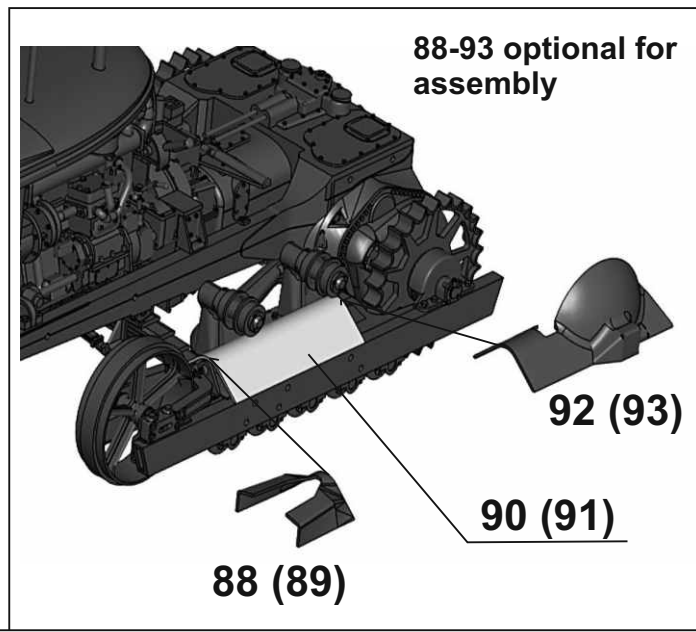
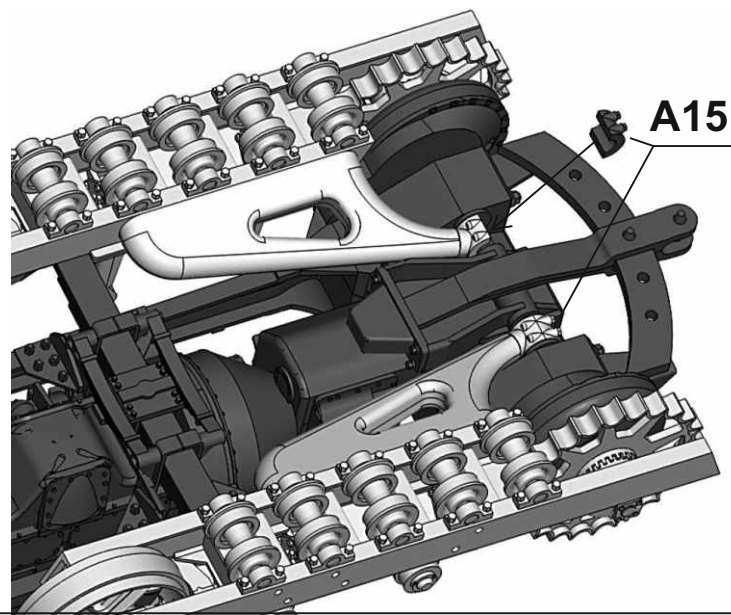
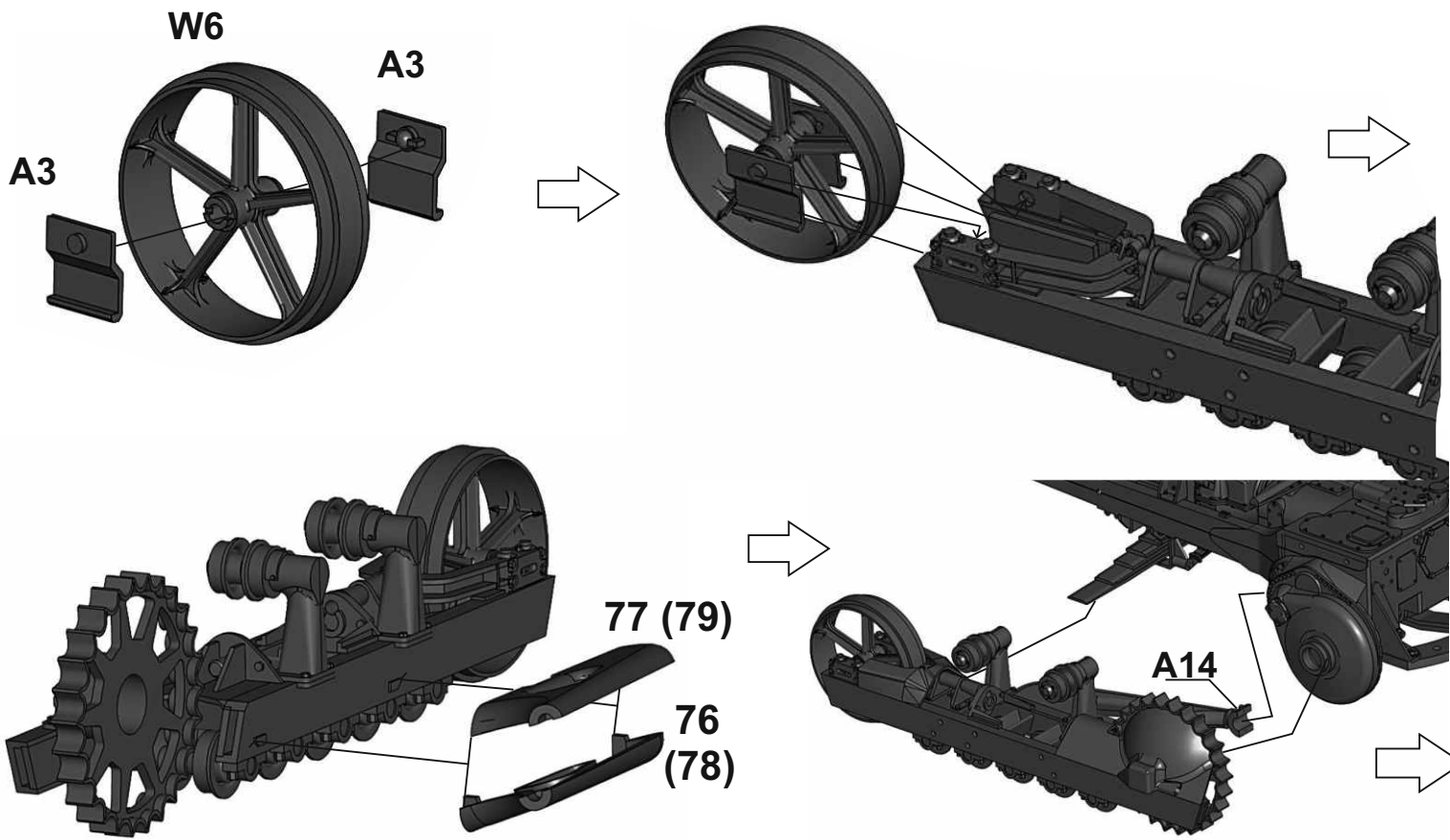


metal springs  
sand off the ends flat, length 19mm



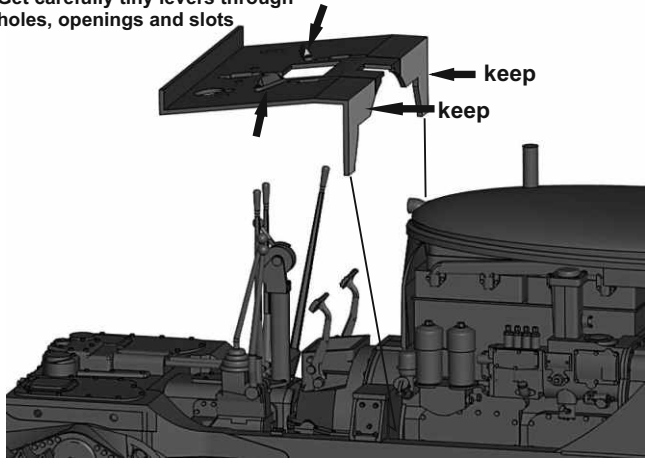
springs may not be used if you use bogie safety covers, when springs are not visible



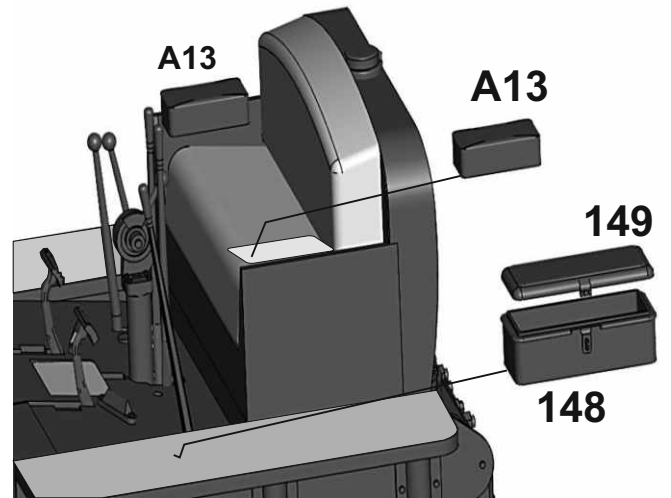
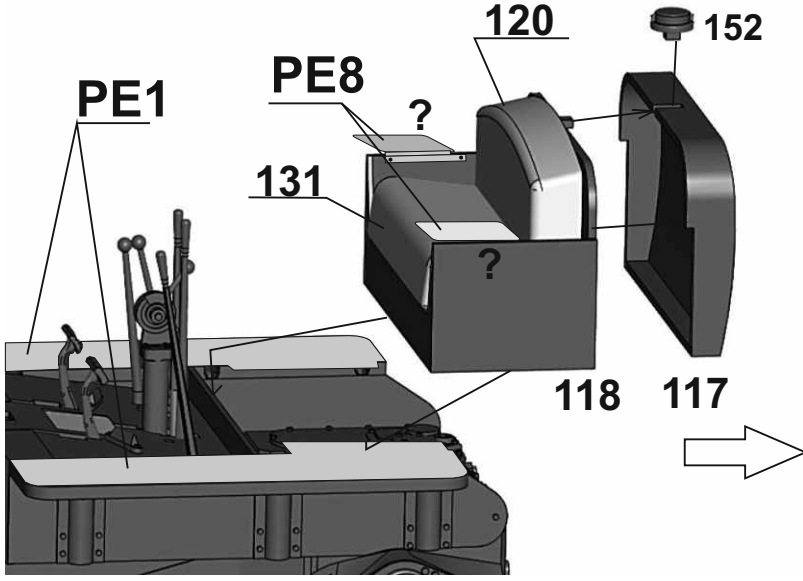
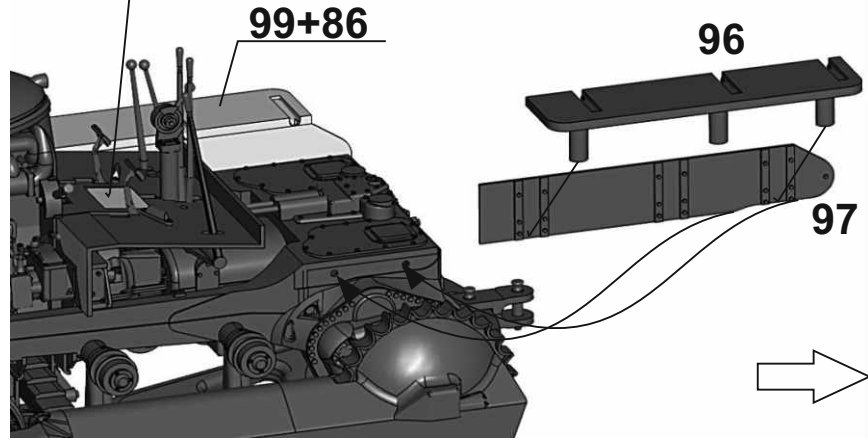




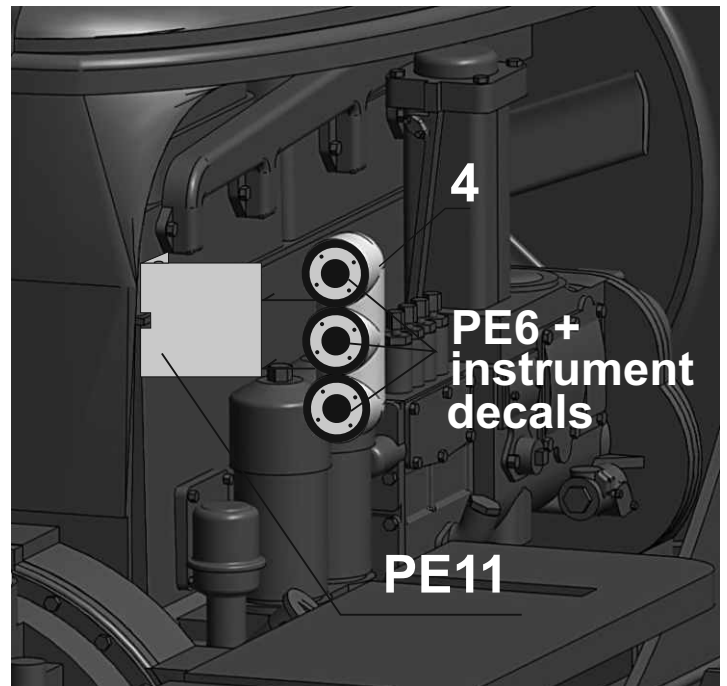
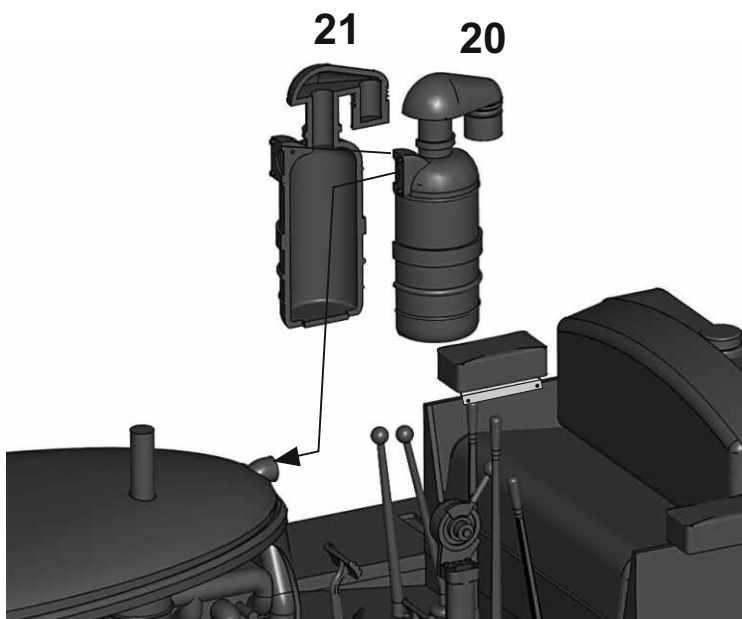
You can replace plastic floor with PE part, and optionally keep front vertical covers and foot rests marked, and assemble them to PE floor. Get carefully tiny levers through holes, openings and slots

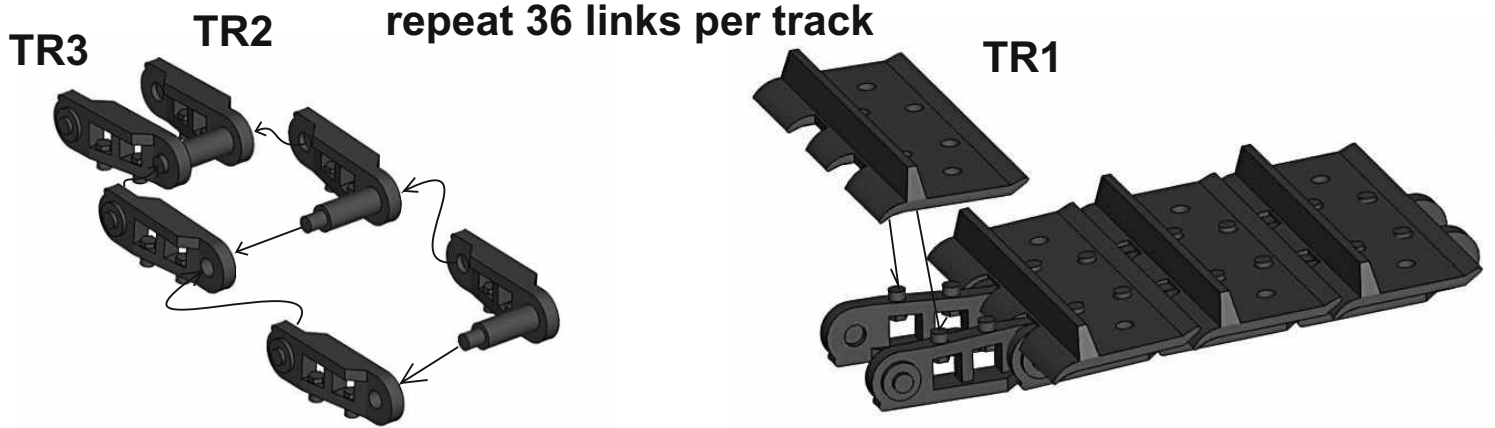
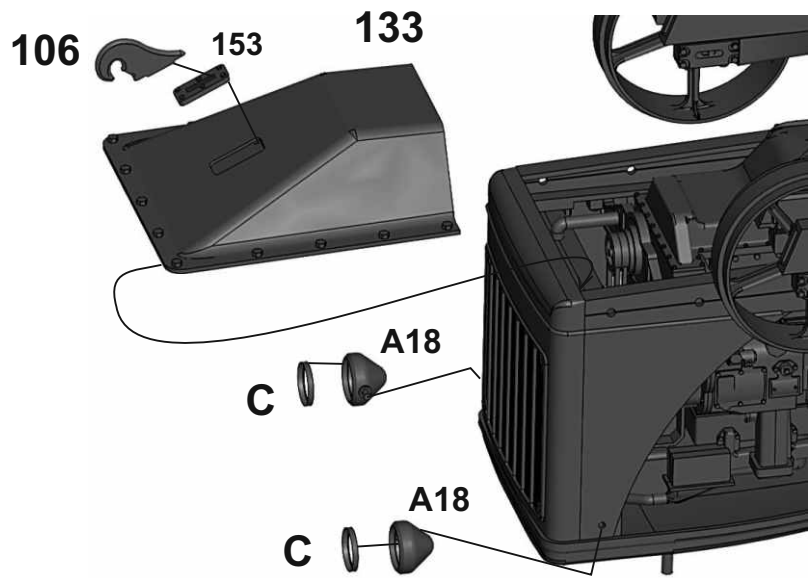
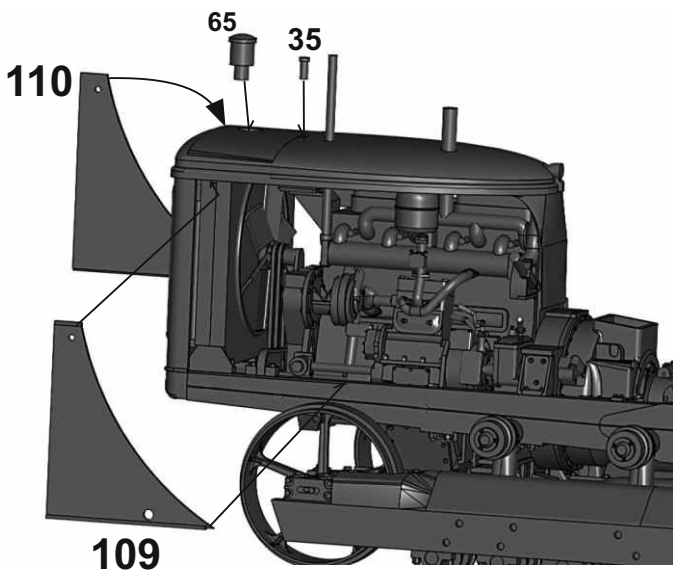


**PE7 optional**

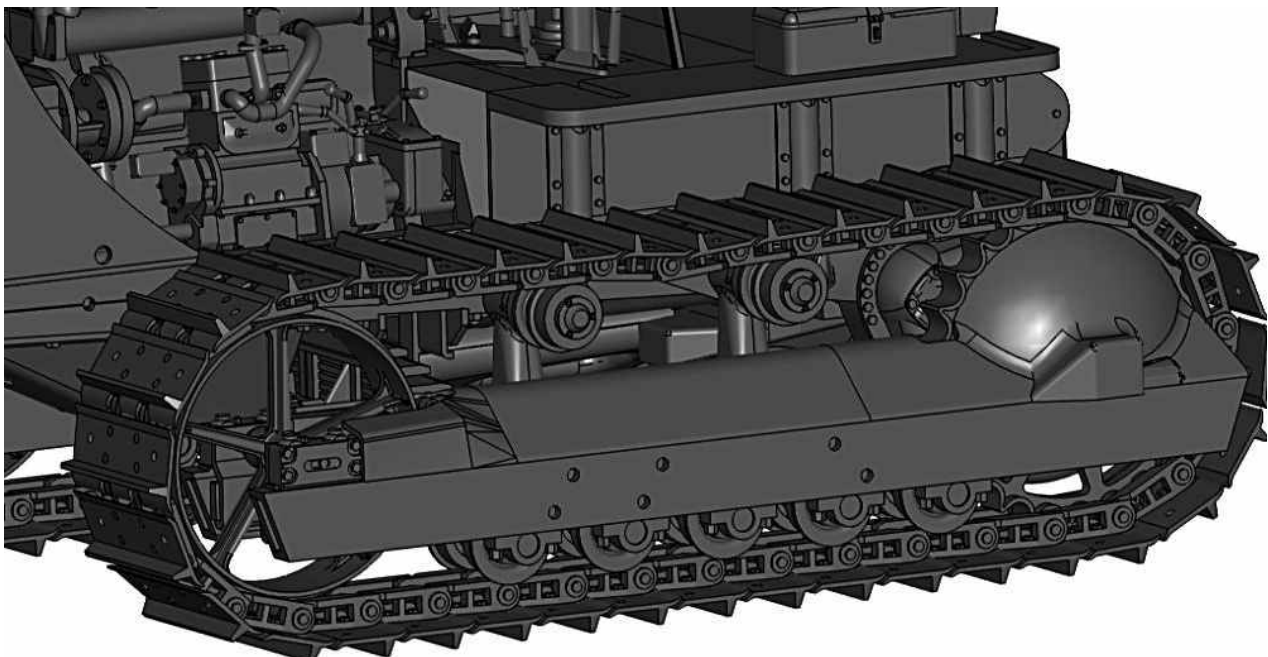


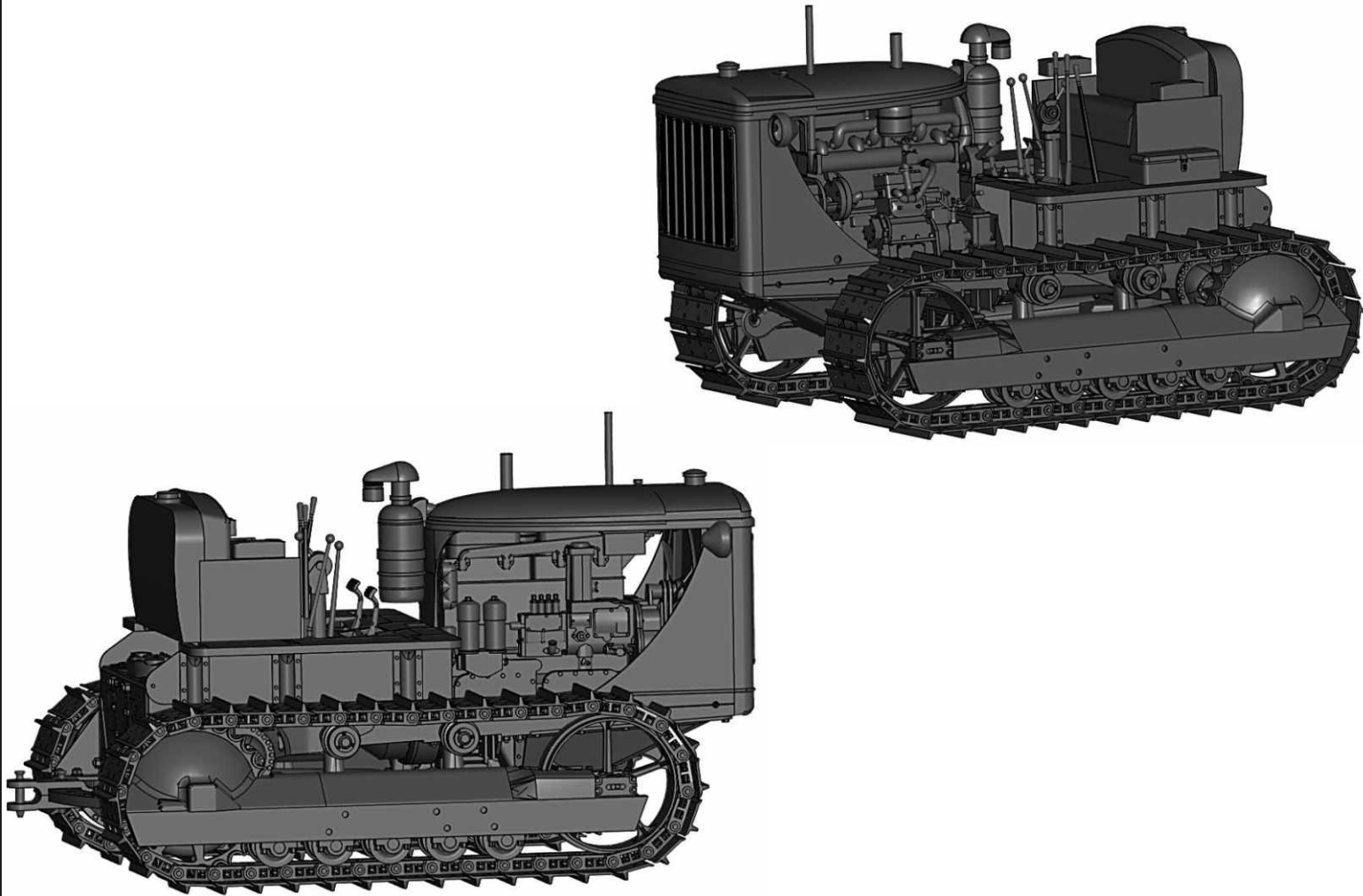
arm's rests PE8 and A13 can be assembled inside or outside the seat





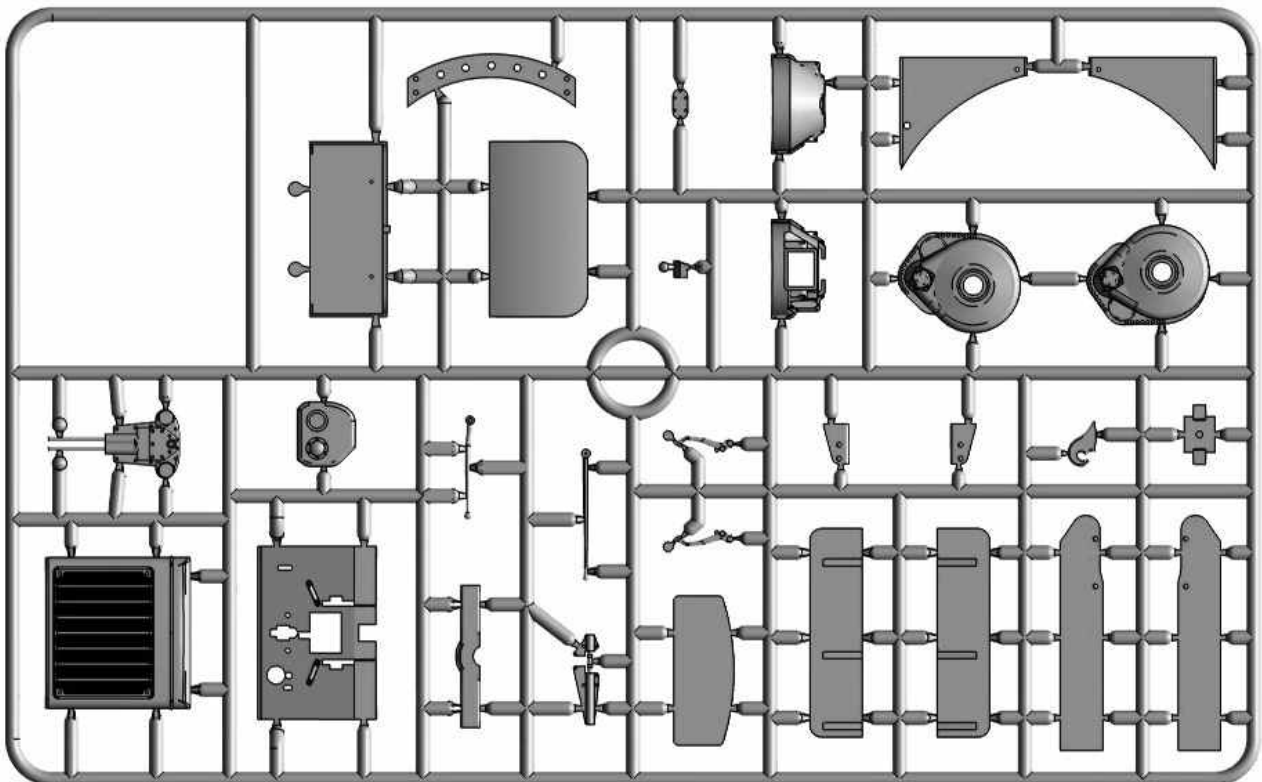
**Mind correct direction of tracks! Track links are workable, however it is recommended to assemble them in short sections around, leaving the top for the end, and secure them with glue**



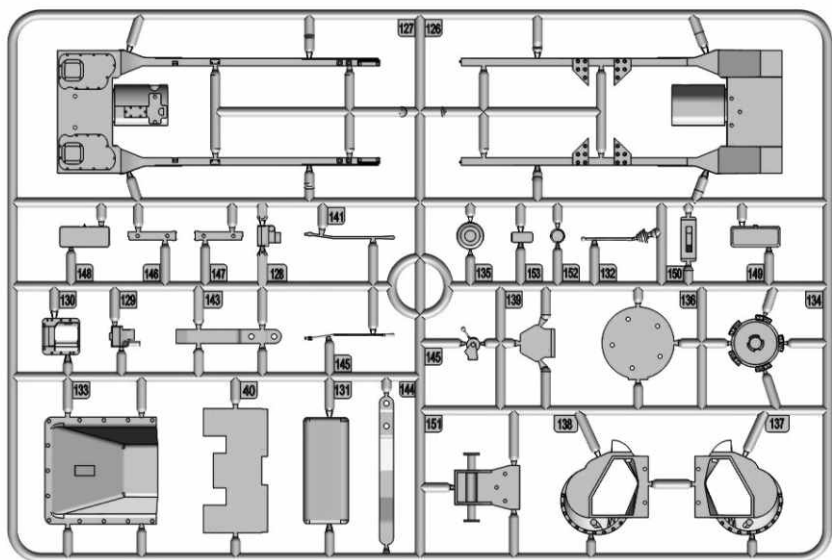


Additional equipment, earth scrapper, resin figures and more will be available soon at: [www.LZmodels.com](http://www.LZmodels.com)  
 If you have experienced missing or damaged part, contact us directly for replacement at [info@mirror-models.com](mailto:info@mirror-models.com)  
 You can download up to date Hi-Res instructions in PDF at <http://www.mirror-models.com/135-US-Military-Crawler.html>  
 You can also join our contest "The Best US Military Tractor Build" and win some amazing prize. More details will show up soon at our website <http://www.mirror-models.com>

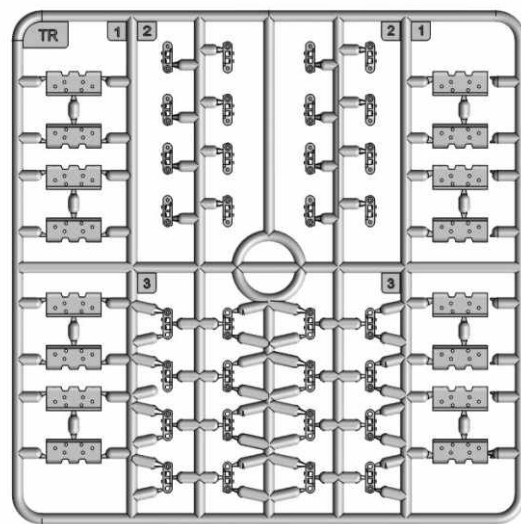
### Part list



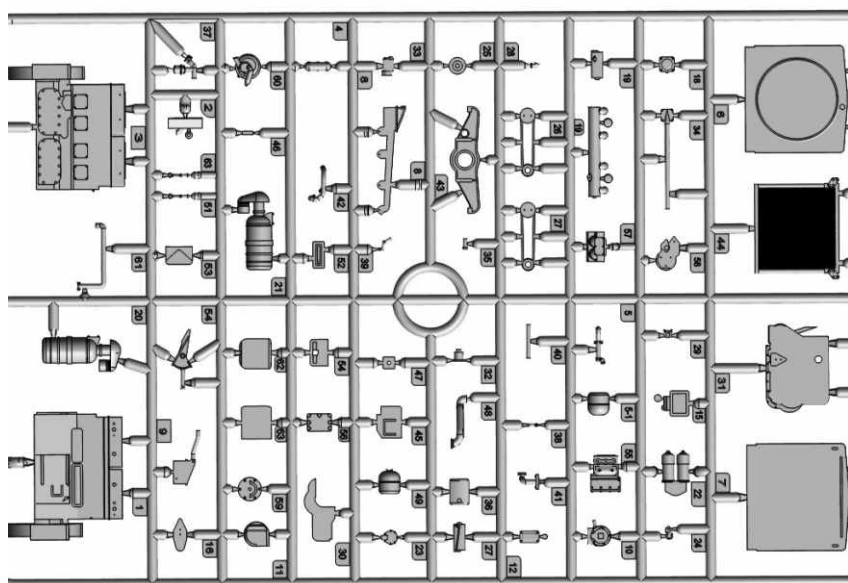
1x



1x

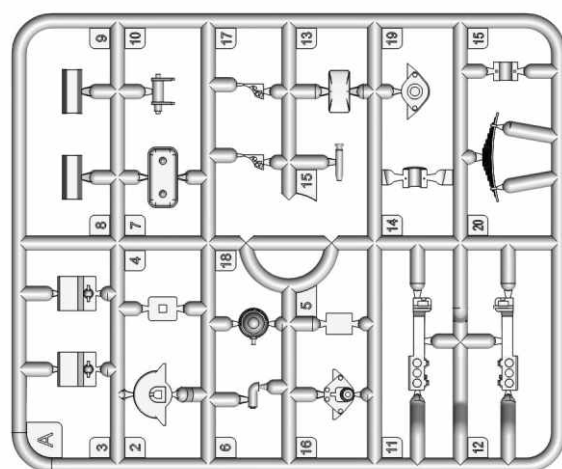


5x



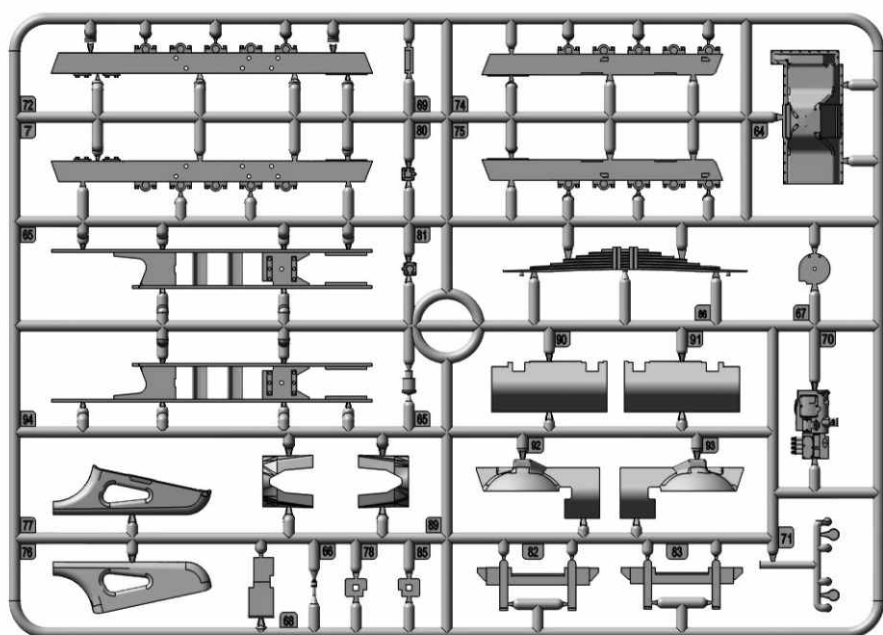
1x

1x



2x

2x



2 clear parts, wire 0,5mm, PE detail set, decal sheet

