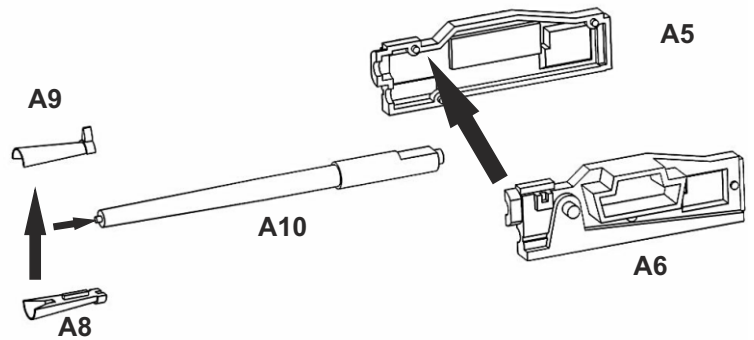
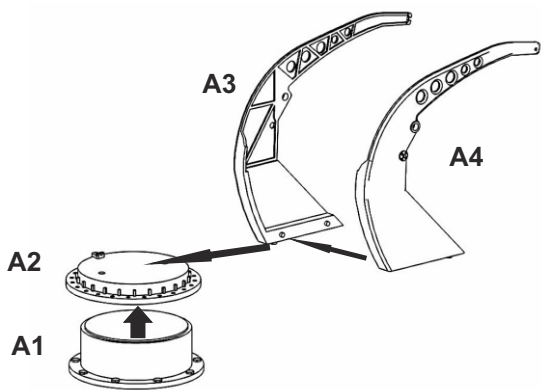


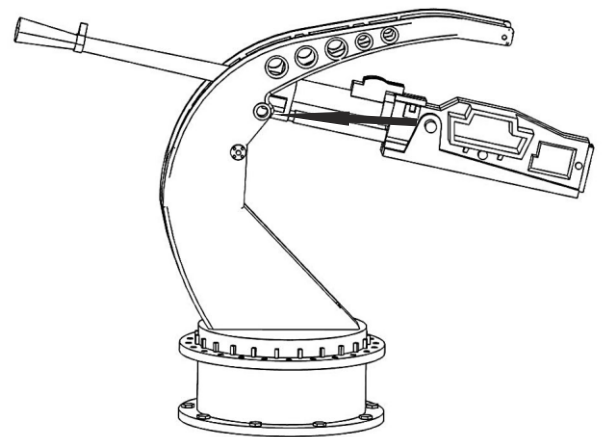
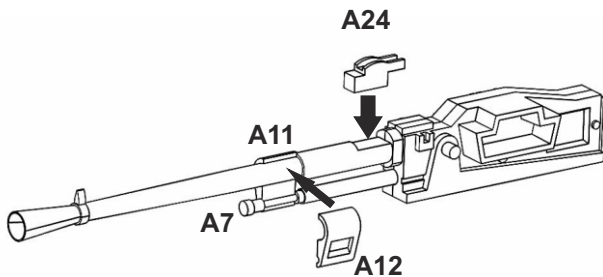
Italian 20mm Breda gun Mod.39 on pivot was used originally for defense purposes, usually in fixed position, but later these guns were often mounted on bodies of various trucks and used as effective mobile weapon. Well documented in desert service used by Italians, and also many captured vehicles with Breda mounted were used then by allied troops.

The kit contains many small parts, extra care is needed to remove them from sprues, a little razor blade will help greatly in this case, and also a new sharp scalpel blade is very useful. Read through the assembly guide before you start your build.

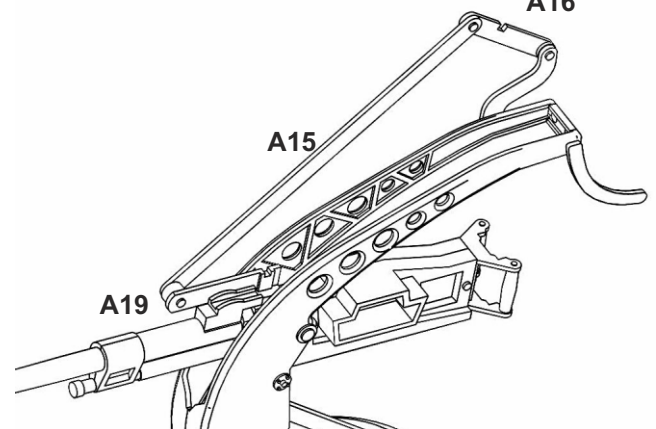
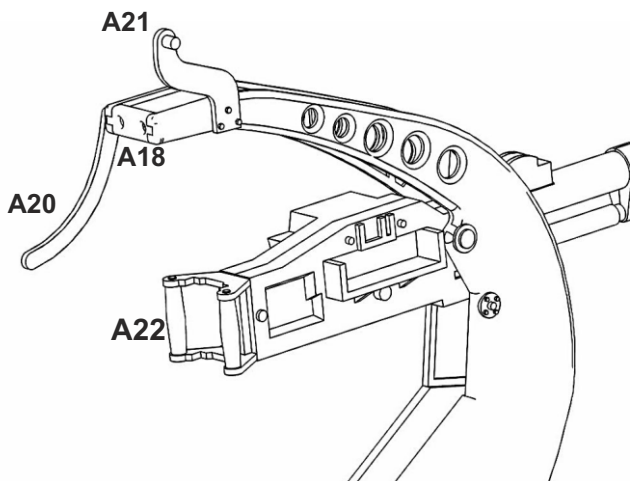
The kit contains PE ammo tray and few other parts to replace original plastic parts if better details are wanted - PE hinges and latches for ammo boxes, or PE sight to replace plastic one. Images in rows one by one show usually one small assembly step

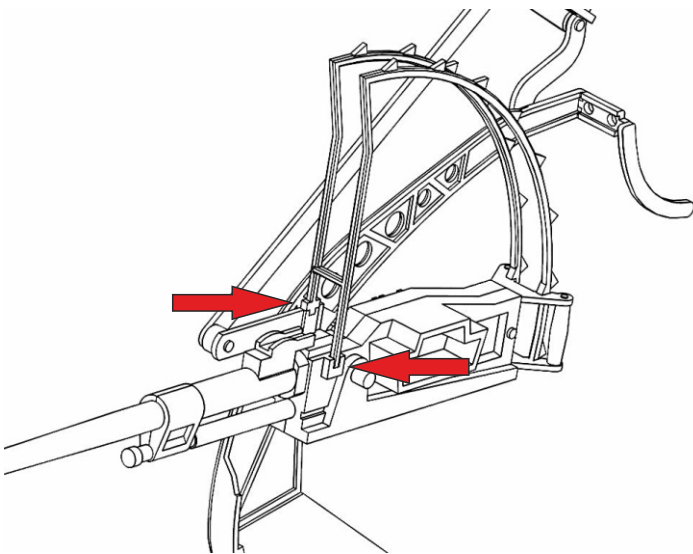
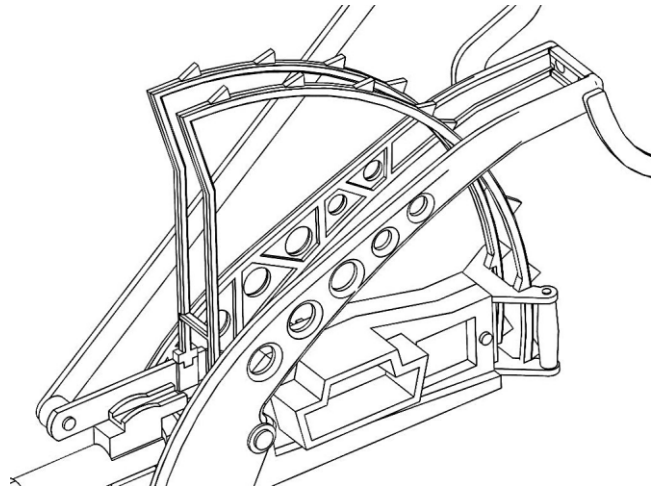
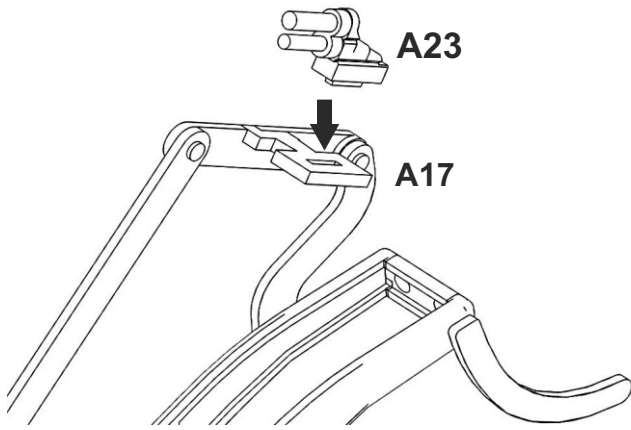


A24 can be replaced by PE 1

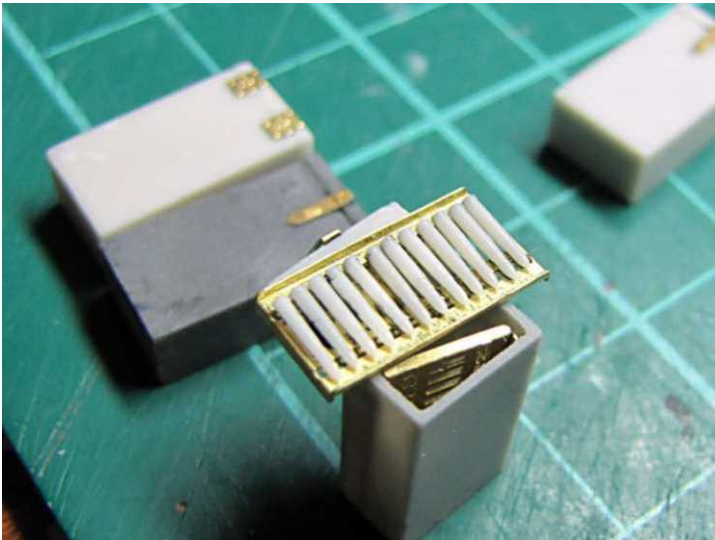


Angle between A15 and A16 can be different depending on gun elevation





PE3-PE5 can be used for additional details on ammo boxes



PE ammo tray with plastic ammunition

Painting - the guns were painted in green overall or in green stand and the gun parts in gun metallic black in desert service the guns were painted in sand yellow overall, sand yellow and with black spots camo is also documented

Useful link (and also interesting paints of many other subjects)

http://www.german.o5m6.de/2cm_Breda.html