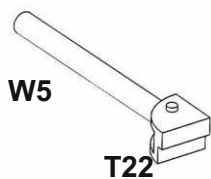
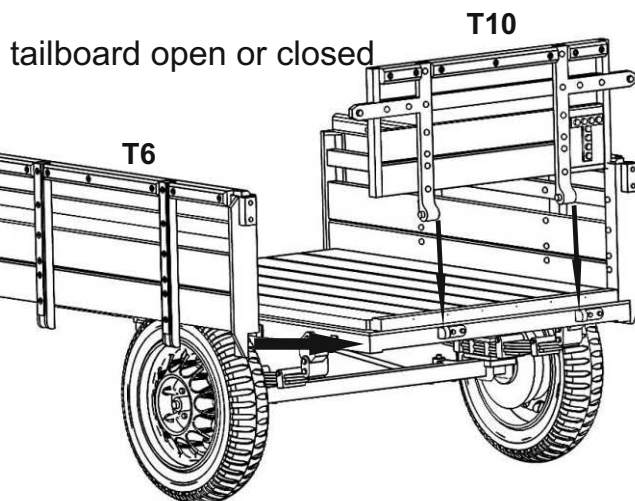
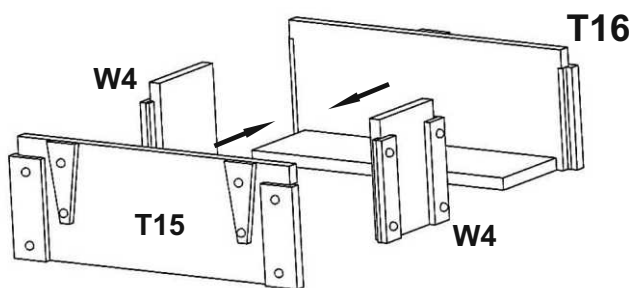
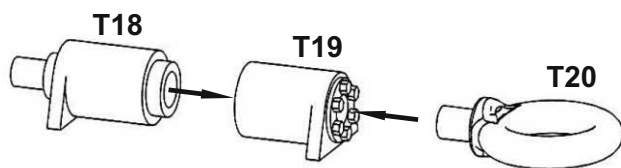
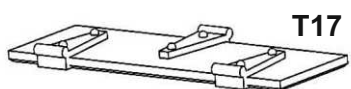
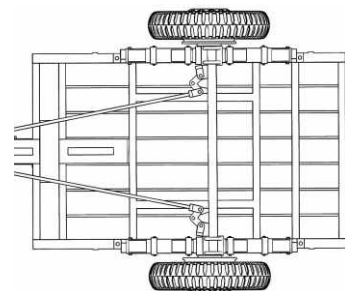
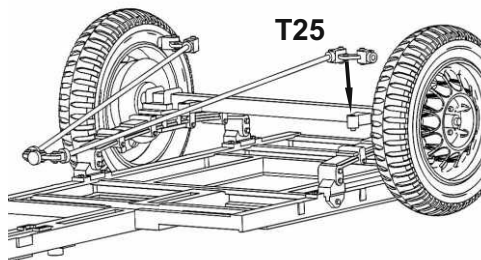
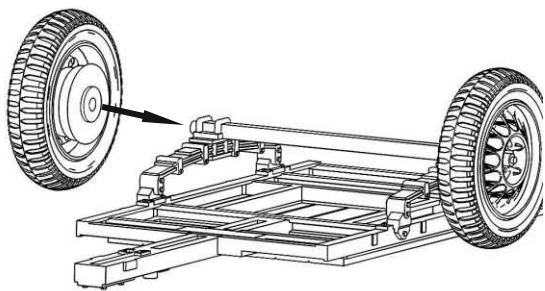
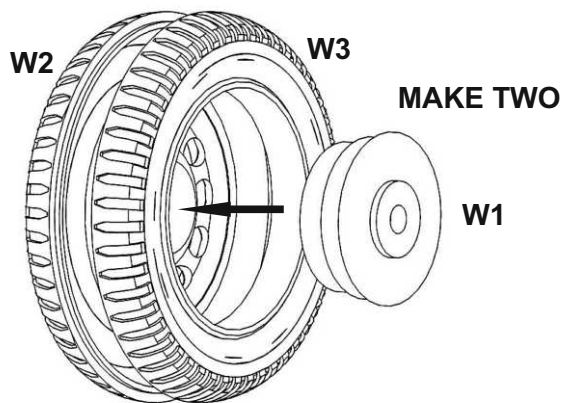
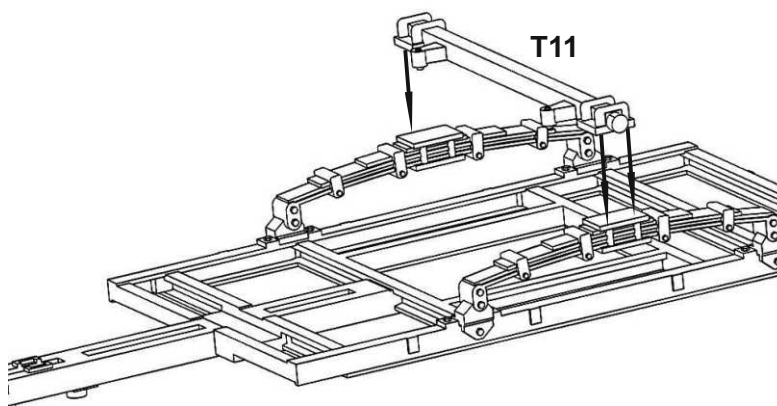
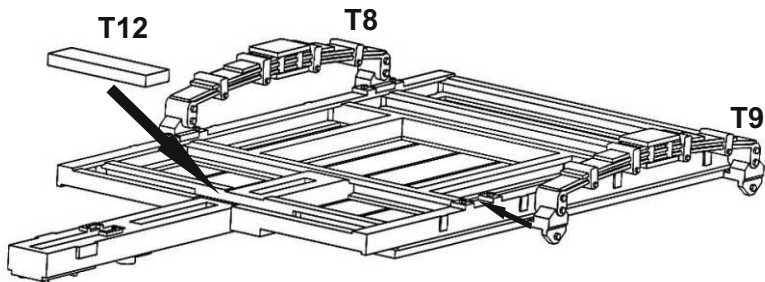
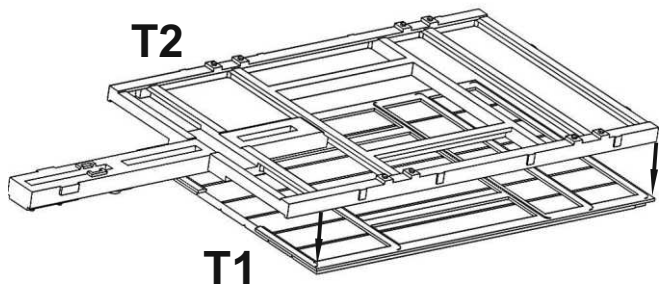
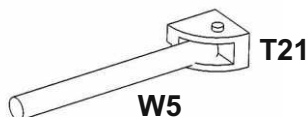


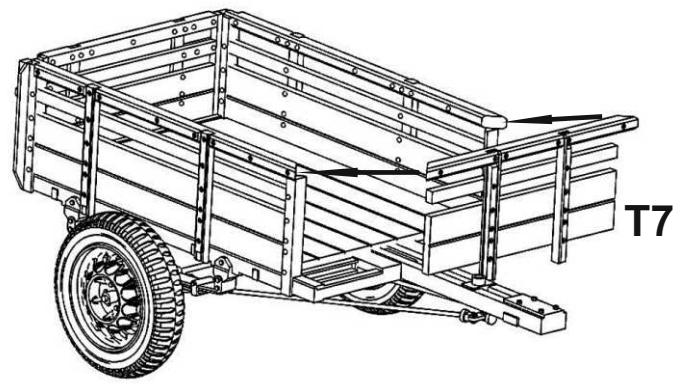
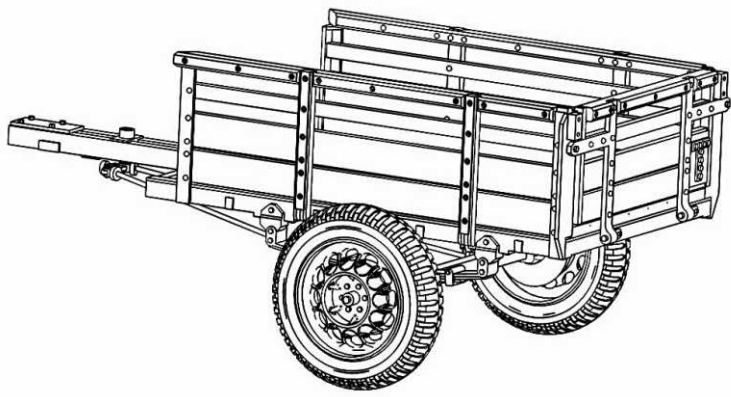
10 cwt trailer, composite metal and wood construction, body with fixed sides, drop tailboard, brakes operated by overrun device, with a separate hand parking lever, with standard eye to take any Jeep and CMPs hook.

Assembly guide images in rows one by one show usually one small assembly step

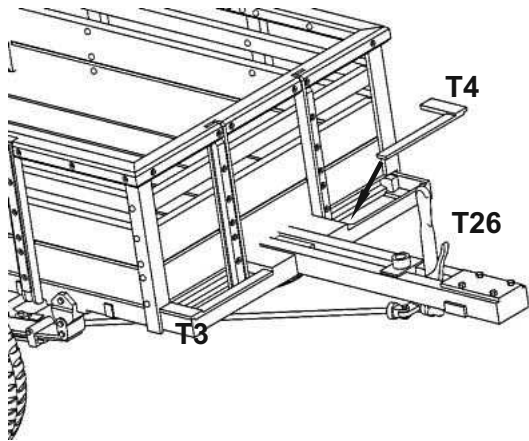


rods can be assembled in closed or open position





T7

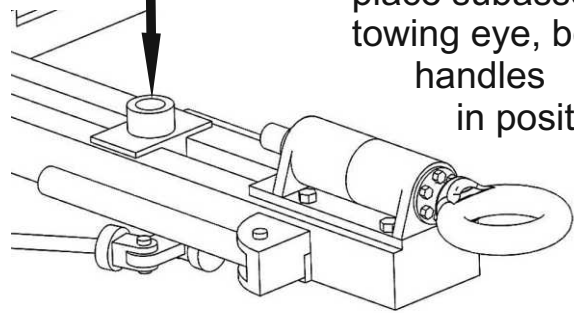


T4

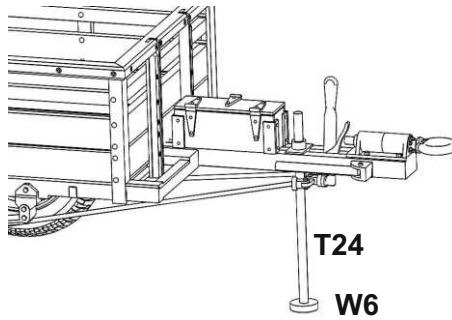
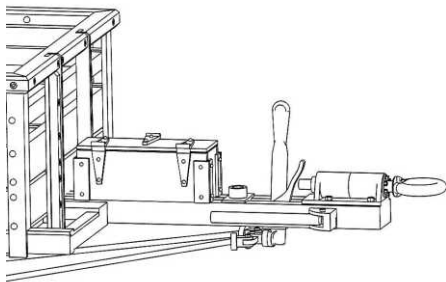
T26

T3

drill through

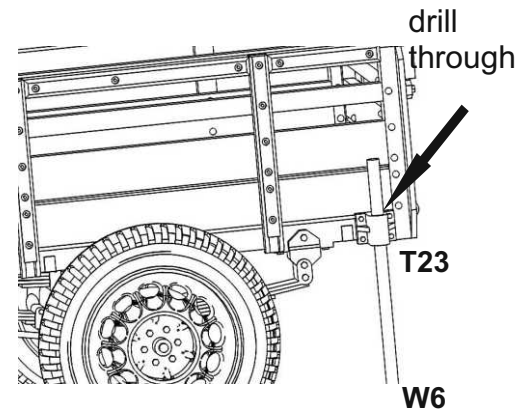


place subassemblies
towing eye, box and
handles
in positions



T24

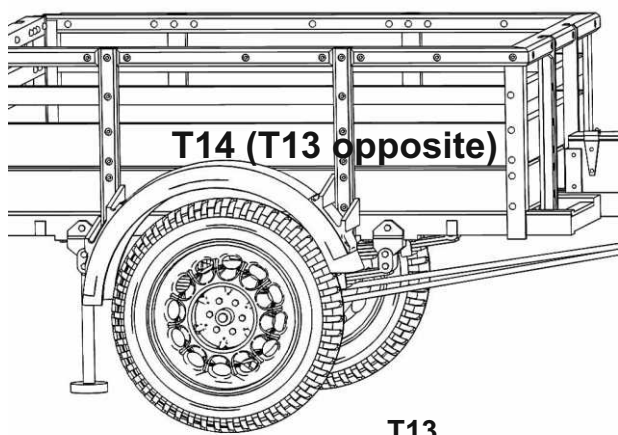
W6



drill through

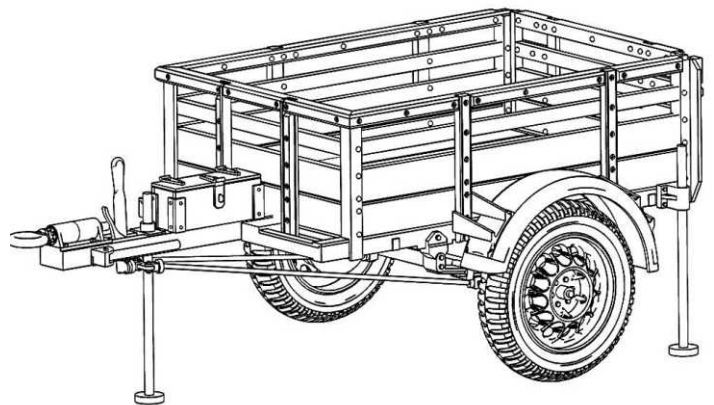
T23

W6



T14 (T13 opposite)

T13



Painting colors depending on the theatre, often seen in Khaki Drab, Dark Earth or Sand, flat Black or Dark Grey for tyres